

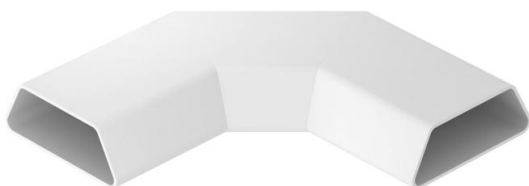
# Technical data sheet

## EÜK horizontal bend

Item number: 7425925



Horizontal bend, 90°, suitable for duct size 90x35.



**PVC** Polyvinylchloride

### Master data

Item number	7425925
Type	KH DU 9035 90
Description 1	Bend, horizontal, 90°
Description 2	for DU 6035
Manufacturer	OBO
Colour	Light grey
Material	Polyvinylchloride
Smallest sales unit	1
Unit of quantity	Piece
Weight	15.5 kg
Weight unit	kg/100 pc.

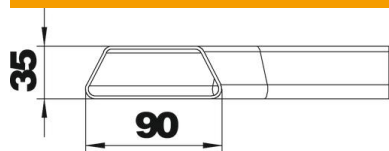
# Technical data sheet

## EÜK horizontal bend

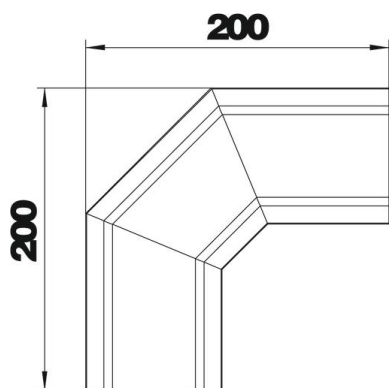
Item number: 7425925



### Dimensions



Length	200 mm
Width	90 mm
Height	35 mm



### Technical data

Number of compartments	1 St.
Trunking width, min.	90 mm
Duct height, min.	35 mm
Cross-section, draw a	2305 mm <sup>2</sup>