

Technical data sheet

EÜK horizontal bend

Item number: 7425920



Horizontal bend, 90°, suitable for duct size 60x25.



PVC Polyvinylchloride

Master data

Item number	7425920
Type	KH DU 6025 90
Description 1	Bend, horizontal, 90°
Description 2	for DU 6025
Manufacturer	OBO
Colour	Light grey
Material	Polyvinylchloride
Smallest sales unit	1
Unit of quantity	Piece
Weight	10.4 kg
Weight unit	kg/100 pc.

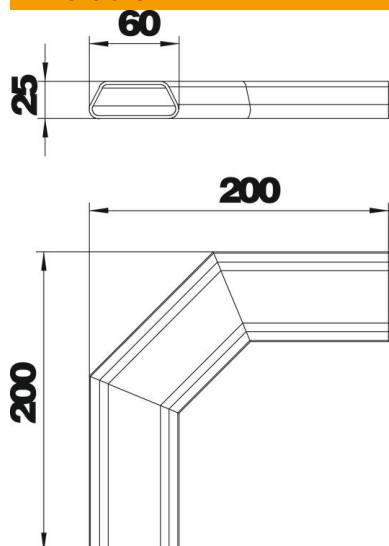
Technical data sheet

EÜK horizontal bend

Item number: 7425920



Dimensions



Length	200 mm
Width	60 mm
Height	25 mm

Technical data

Number of compartments	1 St.
Trunking width, min.	60 mm
Duct height, min.	25 mm
Cross-section, draw a	1030 mm ²