

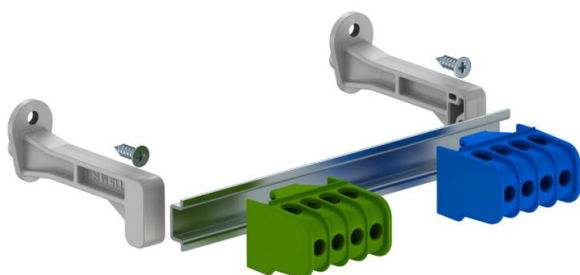
Technical data sheet

Terminal strip set with screw terminals for SDB 03

Item number: 2008880



Terminal strip set for the small distributors of the SDB series. The sets can be used to expand and equip empty small distributors of the SDB 03... type series. The terminal strip set with screw terminals contains:
Mounting instructions; hat rail with corresponding support and fastening material;
16 mm² protective conductor terminal; 16 mm² neutral conductor terminal



Master data

Item number	2008880
Type	KLS-SDB 03
Description 1	Terminal strip pack
Description 2	with screw terminals
Manufacturer	OBO
Dimension	82x15x4
Smallest sales unit	1
Unit of quantity	Piece
Weight	8.87 kg
Weight unit	kg/100 pc.

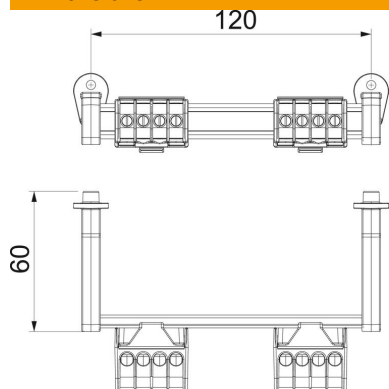
Technical data sheet

Terminal strip set with screw terminals for SDB 03

Item number: 2008880



Dimensions



Length	122 mm
Width	20.5 mm
Height	31 mm

Technical data

Number of screwless terminals per pole	4
Nominal cross-section, max.	16 mm ²
Nominal cross-section, min.	6 mm ²
Nominal voltage	450 V
Nominal current	100 A