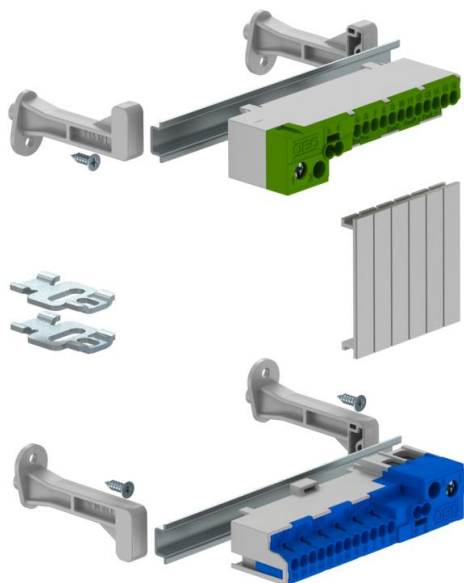


# Technical data sheet

## Terminal strip set with screwless terminals for SDB 03

Item number: 2008910



Terminal strip set for the small distributors of the SDB series. The sets can be used to expand and equip the empty small distributors of the SDB 03... type series.

The terminal strip set with screwless terminals contains:  
Mounting instructions; cover strip; hat rail with corresponding support and fastening material; one protective conductor terminal and one neutral conductor terminal each with two 16/25 mm<sup>2</sup> screw terminals and 2x 4 mm<sup>2</sup> and 12x 2.5 mm<sup>2</sup> screwless terminals



### Master data

|                     |                          |
|---------------------|--------------------------|
| Item number         | 2008910                  |
| Type                | KLS-SDB 03S              |
| Description 1       | Terminal strip pack      |
| Description 2       | with screwless terminals |
| Manufacturer        | OBO                      |
| Dimension           | 82x15x4                  |
| Smallest sales unit | 1                        |
| Unit of quantity    | Piece                    |
| Weight              | 19.33 kg                 |
| Weight unit         | kg/100 pc.               |

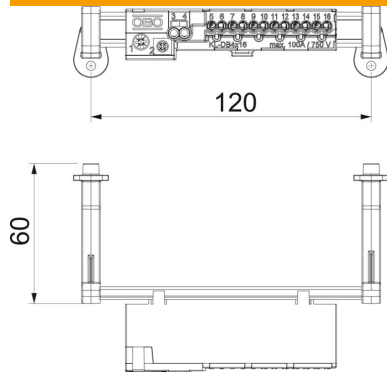
# Technical data sheet

## Terminal strip set with screwless terminals for SDB 03

Item number: 2008910



### Dimensions



|        |        |
|--------|--------|
| Length | 122 mm |
| Width  | 15 mm  |
| Height | 4 mm   |

### Technical data

|                             |                    |
|-----------------------------|--------------------|
| Nominal cross-section, max. | 16 mm <sup>2</sup> |
| Nominal cross-section, min. | 6 mm <sup>2</sup>  |
| Nominal voltage             | 450 V              |
| Nominal current             | 100 A              |