

Technical data sheet

Head plate KU 5 16

Item number: 6344380



Head plate for the mounting on supports type USL and USM.



St Steel

FS Strip galvanized

Master data

Item number	6344380
Description 1	Head plate
Description 2	for fastening with splint
Manufacturer	OBO
Dimension	160 mm
Material	Steel
Surface	Strip galvanized
Surface standard	DIN EN 10346
Smallest sales unit	1
Unit of quantity	Piece
Weight	50.3 kg
Weight unit	kg/100 pc.

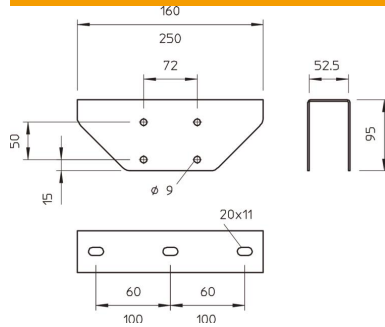
Technical data sheet

Head plate KU 5 16

Item number: 6344380



Dimensions



Technical data

Version for	Screw head plate
Suitable for ceiling fastening	yes
Suitable for panel fastening	no
Suitable for profile shapes	U profile
Rustproof steel, pickled	no
Angle range, max.	90 mm
Angle range, min.	90 mm