

Technical data sheet

Head plate, variable FT

Item number: 6348920



Variable head plate for mounting on US 5 supports. In combination with the US 5 support, suspended supports of any length can be created in situ. With the variable head plate, slopes of up to 30° can be compensated. The spacer, type DSK 47, is used for stabilisation when mounting the head plate. The maximum angle adjustment is approx. 30° on one side. Scope of delivery without bolts, type SKS 10 x 80 and spacer, type DSK 47.



St Steel

FT Hot-dip galvanised

Master data

Item number	6348920
Type	KU 5 V FT
Description 1	Head plate
Description 2	for US 5 support, variable
Manufacturer	OBO
Dimension	180x59x109
Material	Steel
Surface	Hot-dip galvanised
Surface standard	DIN EN ISO 1461
Smallest sales unit	1
Unit of quantity	Piece
Weight	82 kg
Weight unit	kg/100 pc.

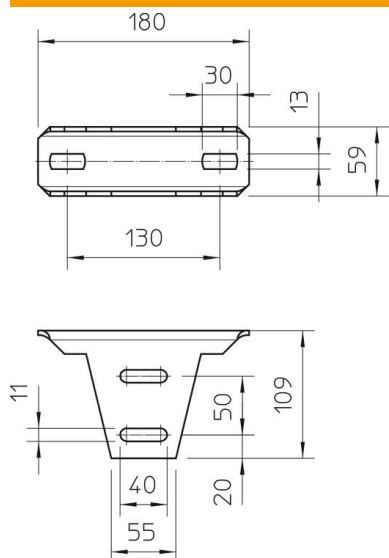
Technical data sheet

Head plate, variable FT

Item number: 6348920



Dimensions



Length	180 mm
Width	59 mm
Height	109 mm

Technical data

Version for	Screw head plate
Maintain electrical functions	no
Suitable for ceiling fastening	yes
Suitable for panel fastening	no
Suitable for profile shapes	U profile
Rustproof steel, pickled	no
Angle range, max.	30 mm
Angle range, min.	0 mm