

Technical data sheet

Head plate, heavy duty FT

Item number: 6349056



Heavy duty head plate for installation in US 7 support.
Please order fastening material (two truss-head bolts FRS 12 x 25) separately.



St Steel

FT Hot-dip galvanised

Master data

Item number	6349056
Type	KU 7 NOX FT
Description 1	Head plate
Description 2	for US 7 support, heavy
Manufacturer	OBO
Dimension	200x100
Material	Steel
Surface	Hot-dip galvanised
Surface standard	DIN EN ISO 1461
Smallest sales unit	1
Unit of quantity	Piece
Weight	184 kg
Weight unit	kg/100 pc.

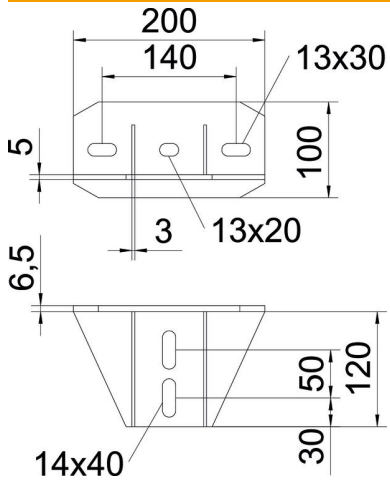
Technical data sheet

Head plate, heavy duty FT

Item number: 6349056



Dimensions



Length	200 mm
Width	100 mm
Height	120 mm

Technical data

Version for	Screw head plate
Suitable for ceiling fastening	yes
Suitable for panel fastening	no
Suitable for profile shapes	U profile
Rustproof steel, pickled	no
Angle range, max.	90 mm
Angle range, min.	90 mm