

Technical data sheet

Clamping angle KWH FT

Item number: 6355064



Clamping angle, with hook-head bolt, type KWH, for fastening in the mounting rail, type MS5030.
Adapt the clamping angle to the material thickness of the flange.

The clamping angle is used in conjunction with profile rails of slot width 22 mm.



St Steel

FT Hot-dip galvanised

Master data

| | |
|---------------------|----------------------------|
| Item number | 6355064 |
| Type | KWH 20 FT |
| Description 1 | Clamping profile |
| Description 2 | with hook screw, h = 20 mm |
| Manufacturer | OBO |
| Dimension | 60x50 |
| Material | Steel |
| Surface | Hot-dip galvanised |
| Surface standard | DIN EN ISO 1461 |
| Smallest sales unit | 10 |
| Unit of quantity | Pair |
| Weight | 82 kg |
| Weight unit | kg/100 pairs |

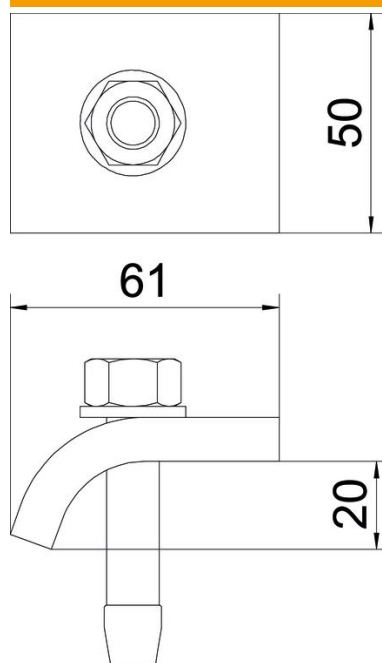
Technical data sheet

Clamping angle KWH FT

Item number: 6355064



Dimensions



| | |
|--------|-------|
| Height | 20 mm |
|--------|-------|

Technical data

| | |
|-------------------------------------|----------|
| F in kN | 5.7 kN |
| Suitable for flange thickness, max. | 23 mm |
| Suitable for flange thickness, min. | 17 mm |
| Thread metric | 12 |
| Bolt | M12 x 60 |