

# Technical data sheet

## Drop-out plate FT

Item number: 6220479



Exit plate for installation on the rung for vertically exiting cables.  
Including appropriate screws and nut-and-washer assemblies.

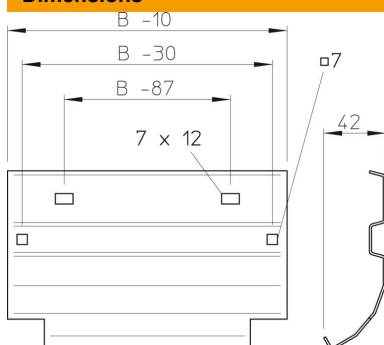


<b>St</b>	Steel
<b>FT</b>	Hot-dip galvanised

### Master data

Item number	6220479
Type	LAB 60 FT
Description 1	Outgoing plate
Description 2	for cable ladder
Manufacturer	OBO
Dimension	B600mm
Material	Steel
Surface	Hot-dip galvanised
Surface standard	DIN EN ISO 1461
Smallest sales unit	1
Unit of quantity	Piece
Weight	120 kg
Weight unit	kg/100 pc.

### Dimensions



Width	600 mm
Height	45 mm
Plate thickness	1.5 mm
Dimension B	600 mm

# Technical data sheet

Drop-out plate FT

Item number: 6220479



## Technical data

Maintain electrical functions	no
Rustproof steel, pickled	no
Wide-span version	no