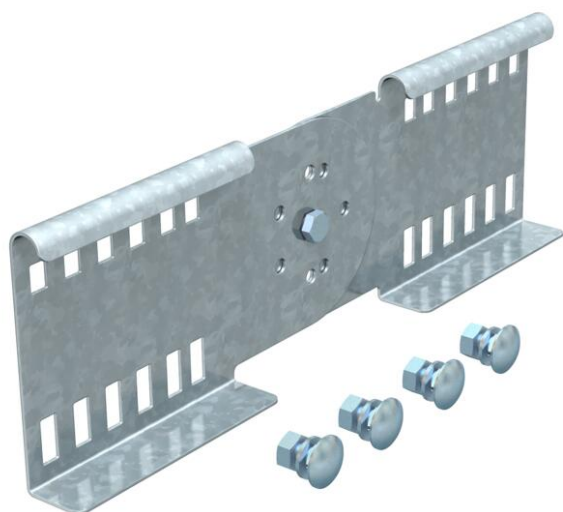


Technical data sheet

Adjustable connector FS

Item number: 6216650



Adjustable connector as internal connector to join cable ladders and fittings with a side height of 110 mm. Angle can be adjusted vertically.

The bolt fastening ensures the continuity of the equipotential bonding.



St Steel

FS Strip galvanized

Master data

Item number	6216650
Type	LGVG 110 FS
Description 1	Adjustable connector
Description 2	for cable ladder
Manufacturer	OBO
Material	Steel
Surface	Strip galvanized
Surface standard	DIN EN 10346
Smallest sales unit	10
Unit of quantity	Piece
Weight	77.9 kg
Weight unit	kg/100 pc.

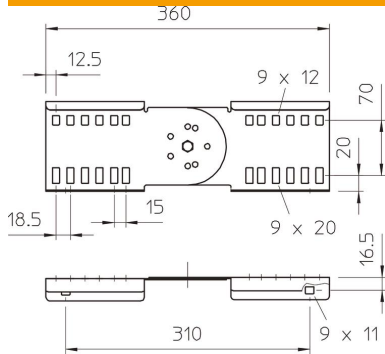
Technical data sheet

Adjustable connector FS

Item number: 6216650



Dimensions



Dimension	114x360
Length	360 mm
Width	28 mm
Height	110 mm
Plate thickness	1.5 mm

Technical data

Version for	Straight and angle connector
Suitable for mesh cable tray	no
Suitable for cable ladder	yes
Suitable for cable tray	no
Suitable for cable tray system height	110 mm
Adjustable connector, horizontal	no
Articulated connector, vertical	yes
Rustproof steel, pickled	no
Connection type	Screw connector