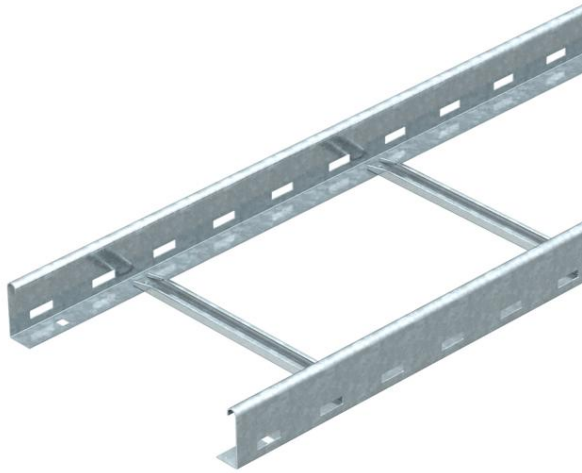


# Technical data sheet

## LG 60 cable ladder, 3 m NS FS

Item number: 6208506



Cable ladder with perforated side rail of side height 60 mm with riveted C profile rungs, open in an upwards direction (NS version).

The cable ladder is shipped folded up.

You can find the appropriate U clamp of type 2056N in the vertical ladder systems chapter.

Magnetic shield insulation without cover 10 dB, with cover 15 dB.



**St** Steel

**FS** Strip galvanized

### Master data

Item number	6208506
Type	LG 620 NS 3 FS
Description 1	Cable ladder
Description 2	perforated, with NS rung
Manufacturer	OBO
Dimension	60x200x3000
Material	Steel
Surface	Strip galvanized
Surface standard	DIN EN 10346
Smallest sales unit	3
Unit of quantity	Metre
Weight	247.64 kg
Weight unit	kg/100 m

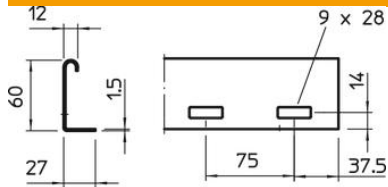
# Technical data sheet

LG 60 cable ladder, 3 m NS FS

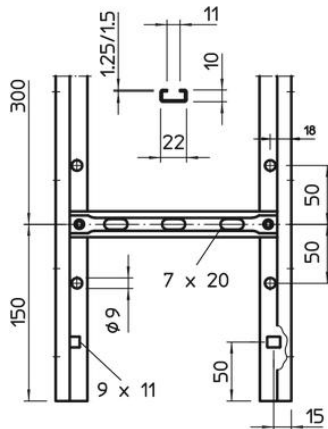
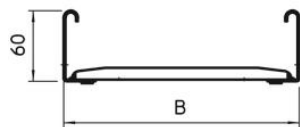
Item number: 6208506



## Dimensions



Dimension	60x200x3000
Length	3,000 mm
Length	3,000 ft
Width	200 mm
Height	60 mm



## Technical data

Version of the rungs	Profile perforated
Side rail version	Flat profile
Fastening of rung	Blind riveted
Maintain electrical functions	no
Usable cross-section	98 cm <sup>2</sup>
Usable cross-section	9800 mm <sup>2</sup>
Rustproof steel, pickled	no
Side perforation	yes
Rung distance	300 mm
Wide-span version	no
Rail thickness	1.5 mm

# Technical data sheet

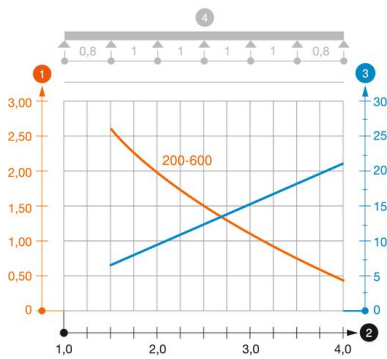
LG 60 cable ladder, 3 m NS FS

Item number: 6208506



## Loads

Support spacing 1.5 m	3.1 kN/m
Support spacing 2.0 m	2 kN/m
Support spacing 2.5 m	1.5 kN/m
Support spacing 3.0 m	1 kN/m
Support spacing 3.5 m	0.6 kN/m
Support spacing 4.0 m	0.4 kN/m



### Load diagram, cable ladder, type LG 60 NS

- 1 Permitted cable tray/ladder load in kN/m without man load
- 2 Support width in m
- 3 Rail bend in mm at permitted kN/m
- 4 Load scheme during testing
- Load curve with cable tray/ladder width in mm
- Strut bend curve according to support width