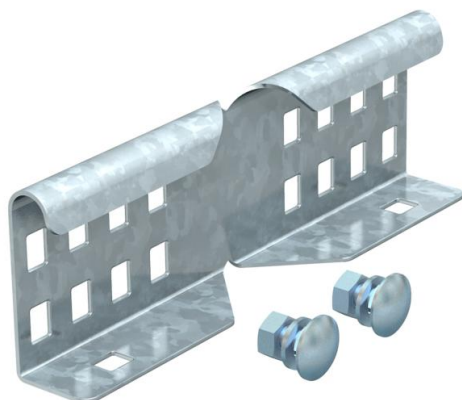


# Technical data sheet

## Straight and angle connector FS

Item number: 6208895



Angle connector as external connector to join cable ladders and fittings with a side height of 60 mm and continuous rail perforation.

The bolt fastening ensures the continuity of the equipotential bonding.



**St** Steel

**FS** Strip galvanized

### Master data

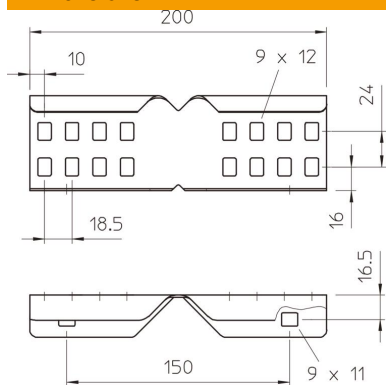
Item number	6208895
Type	LWVG 60 FS
Description 1	Angle connector
Description 2	for cable ladder
Manufacturer	OBO
Dimension	64x200
Material	Steel
Surface	Strip galvanized
Surface standard	DIN EN 10346
Smallest sales unit	10
Unit of quantity	Piece
Weight	24 kg
Weight unit	kg/100 pc.

# Technical data sheet

## Straight and angle connector FS

Item number: 6208895

### Dimensions



Dimension	64x200
Length	200 mm
Width	28 mm
Height	64 mm
Plate thickness	1.5 mm

### Technical data

Version for	Angle connector
Suitable for mesh cable tray	no
Suitable for cable ladder	yes
Suitable for cable tray	no
Suitable for cable tray system height	60 mm
Adjustable connector, horizontal	no
Articulated connector, vertical	no
Rustproof steel, pickled	no
Connection type	Screw connector