

Technical data sheet

MMS-plus I 7.5x40 internal thread tie, with combination thread sleeve

Item number: 3498266



Bolt tie for direct mounting without additional anchors in cracked and uncracked concrete and masonry. With M8/M10 combination thread sleeve for fastening threaded rods.

Construction product tested according to EAD and CE mark, with European Technical Assessment (ETA) and proof of suitability. Load-bearing capacities under fire loads proven up to fire resistance class R120.



St

Steel

G

Electrogalvanized

Master data

Item number	3498266
Type	MMS+ I 7.5x40
Description 1	Internal thread anchor
Description 2	with connection sleeve
Manufacturer	OBO
Dimension	7,5x40
Material	Steel
Surface	Electrogalvanized
Surface standard	EN ISO 19598 / EN ISO 4042
Smallest sales unit	40
Unit of quantity	Piece
Weight	3.81 kg
Weight unit	kg/100 pc.

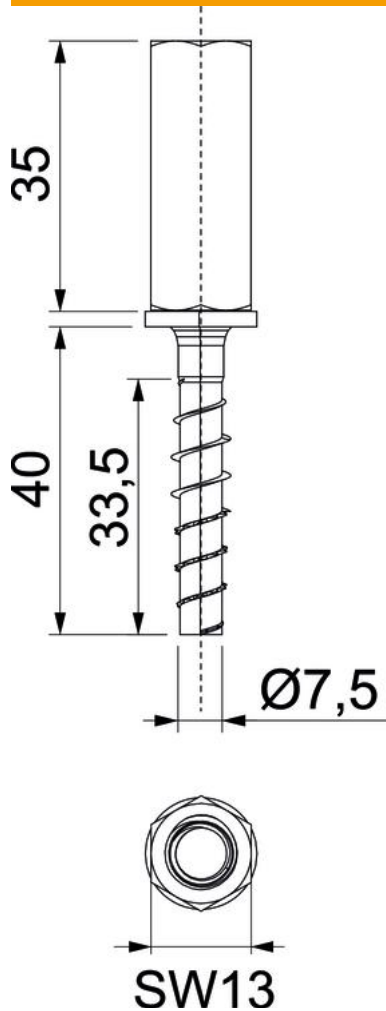
Technical data sheet

MMS-plus I 7.5x40 internal thread tie, with combination thread sleeve

Item number: 3498266



Dimensions



Dimension	7,5x40
Length	40 mm
Dimension L	40 mm

Technical data

Drill hole diameter, min.	6 mm
Head shape	Hexagonal
WAF	13
Screw system	Hexagonal