

# Technical data sheet

MS4121 mounting rail, slot 22 mm, double, FT, perforated

Item number: 1122944



Heavy-duty profile/mounting rail with continuous perforation in base, slot width 22 mm. Double version, i.e. two profile rails are interconnected on the base (clinched).



St

Steel

FT

Hot-dip galvanised

## Master data

|                     |                       |
|---------------------|-----------------------|
| Item number         | 1122944               |
| Type                | MS4142P3000FT         |
| Description 1       | Profile rail          |
| Description 2       | perforated, slot 22mm |
| Manufacturer        | OBO                   |
| Dimension           | 3000x41x42            |
| Material            | Steel                 |
| Surface             | Hot-dip galvanised    |
| Surface standard    | DIN EN ISO 1461       |
| Smallest sales unit | 3                     |
| Unit of quantity    | Metre                 |
| Weight              | 303 kg                |
| Weight unit         | kg/100 m              |

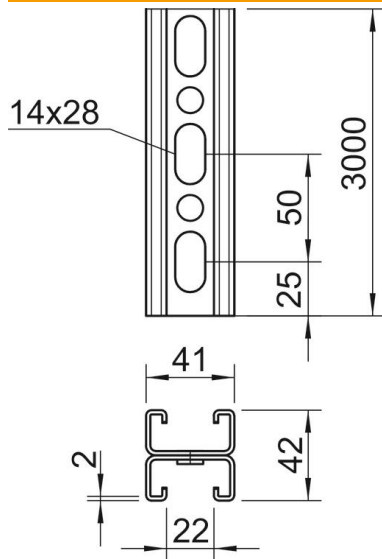
# Technical data sheet

MS4121 mounting rail, slot 22 mm, double, FT, perforated

Item number: 1122944



## Dimensions



|             |          |
|-------------|----------|
| Length      | 3,000 mm |
| Width       | 41 mm    |
| Height      | 42 mm    |
| Dimension L | 3,000 mm |

## Technical data

|                               |                      |
|-------------------------------|----------------------|
| Type of perforation           | Perforated bar       |
| Version for                   | Double profile       |
| Maintain electrical functions | no                   |
| Hole size                     | 14x28 mm             |
| Material thickness            | 2 mm                 |
| With tothing                  | yes                  |
| Profile shape                 | C profile            |
| Slot width                    | 22 mm                |
| Static value A                | 3.3 cm <sup>2</sup>  |
| Static value Iy               | 5.38 cm              |
| Static value Iz               | 9.02 cm              |
| Static value Wy               | 1.28 cm <sup>2</sup> |
| Static value Wz               | 0.25 cm <sup>2</sup> |