

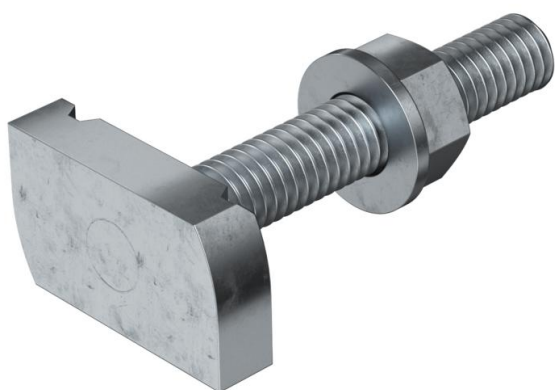
Technical data sheet

Hammer-head bolt ZL

Item number: 1148326



Hammer-head bolt for use with MS4121 and MS4141 profile rails



St Steel

ZL Zinc slat

Master data

| | |
|---------------------|------------------------------|
| Item number | 1148326 |
| Type | MS41HB M10x60 ZL |
| Description 1 | Hammerhead screw |
| Description 2 | for profile rail MS4121/4141 |
| Manufacturer | OBO |
| Dimension | M10x60mm |
| Material | Steel |
| Surface | Zinc slat |
| Surface standard | |
| Smallest sales unit | 25 |
| Unit of quantity | Piece |
| Weight | 9.25 kg |
| Weight unit | kg/100 pc. |

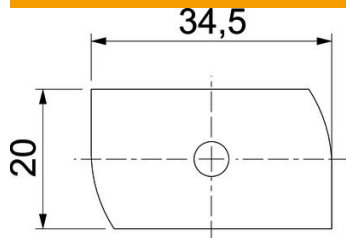
Technical data sheet

Hammer-head bolt ZL

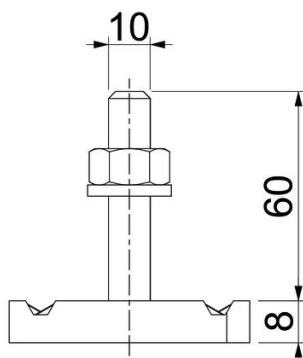
Item number: 1148326



Dimensions



| | |
|-------------|---------|
| Length | 34.5 mm |
| Width | 20 mm |
| Height | 8 mm |
| Dimension H | 8 mm |
| Dimension L | 60 mm |



Technical data

| | |
|----------------------------|-----------|
| Torque | 16 Nm |
| Suitable for mounting rail | yes |
| Thread | M 10 x 60 |
| Washer Ø | 20 mm |