

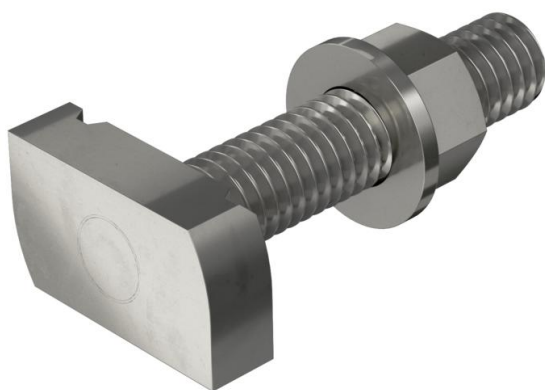
# Technical data sheet

## Hammer-head bolt A4

Item number: 1148438



Hammer-head bolt for use with MS4121 and MS4141 profile rails



**A4** Stainless steel

**2B** Bright, treated

### Master data

Item number	1148438
Type	MS41HB M12x60 A4
Description 1	Hammerhead screw
Description 2	for profile rail MS4121/4141
Manufacturer	OBO
Dimension	M12x60mm
Material	Stainless steel
Surface	Bright, treated
Surface standard	
Smallest sales unit	25
Unit of quantity	Piece
Weight	12.4 kg
Weight unit	kg/100 pc.

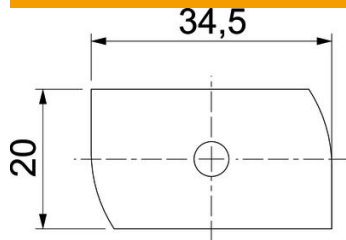
# Technical data sheet

## Hammer-head bolt A4

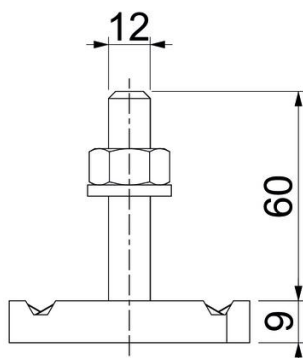
Item number: 1148438



### Dimensions



Length	34.5 mm
Width	20 mm
Height	9 mm
Dimension H	9 mm
Dimension L	60 mm



### Technical data

Torque	14.4 Nm
Suitable for mounting rail	yes
Thread	M 12 x 60
Washer Ø	24 mm