

Technical data sheet

Hammer-head bolt A4

Item number: 1148406



Hammer-head bolt for use with MS4121 and MS4141 profile rails



CE

A4 Stainless steel

2B Bright, treated

Master data

Item number	1148406
Type	MS41HB M6x30 A4
Description 1	Hammerhead screw
Description 2	for profile rail MS4121/4141
Manufacturer	OBO
Dimension	M6x30mm
Material	Stainless steel
Surface	Bright, treated
Surface standard	
Smallest sales unit	50
Unit of quantity	Piece
Weight	4 kg
Weight unit	kg/100 pc.

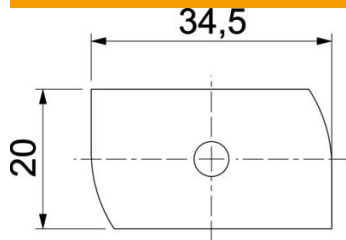
Technical data sheet

Hammer-head bolt A4

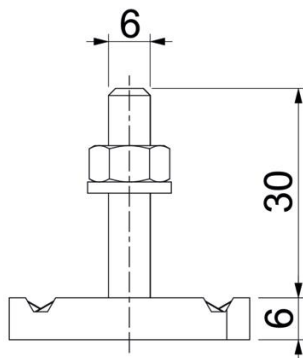
Item number: 1148406



Dimensions



Length	34.5 mm
Width	20 mm
Height	6 mm
Dimension H	6 mm
Dimension L	30 mm



Technical data

Torque	3.4 Nm
Suitable for mounting rail	yes
Thread	M 6 x 30
Washer Ø	12 mm