

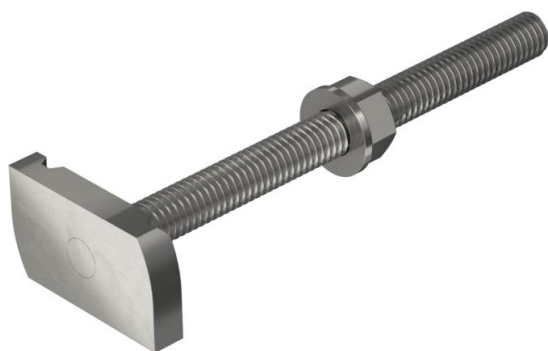
Technical data sheet

Hammer-head bolt A4

Item number: 1148418



Hammer-head bolt for use with MS4121 and MS4141 profile rails



A4 Stainless steel

2B Bright, treated

Master data

Item number	1148418
Type	MS41HB M8x100 A4
Description 1	Hammerhead screw
Description 2	for profile rail MS4121/4141
Manufacturer	OBO
Dimension	M8x100mm
Material	Stainless steel
Surface	Bright, treated
Surface standard	
Smallest sales unit	20
Unit of quantity	Piece
Weight	7.55 kg
Weight unit	kg/100 pc.

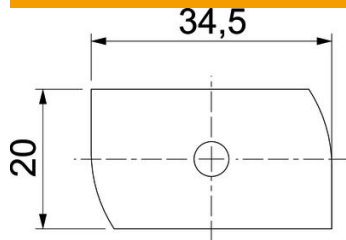
Technical data sheet

Hammer-head bolt A4

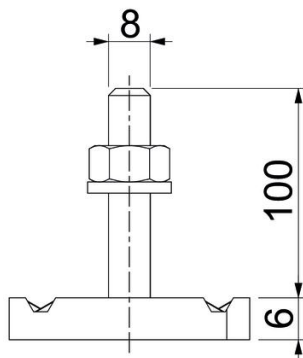
Item number: 1148418



Dimensions



Length	34.5 mm
Width	20 mm
Height	6 mm
Dimension H	6 mm
Dimension L	100 mm



Technical data

Torque	6.2 Nm
Suitable for mounting rail	yes
Thread	M 8 x 100
Washer Ø	16 mm