

Technical data sheet

Hammer-head bolt ZL

Item number: 1148350



Hammer-head bolt for use with MS4121 and MS4141 profile rails



St Steel

ZL Zinc slat

Master data

Item number	1148350
Type	MS41HB M8x20 ZL
Description 1	Hammerhead screw
Description 2	without spring
Manufacturer	OBO
Material	Steel
Surface	Zinc slat
Surface standard	
Smallest sales unit	25
Unit of quantity	Piece
Weight	4.4 kg
Weight unit	kg/100 pc.

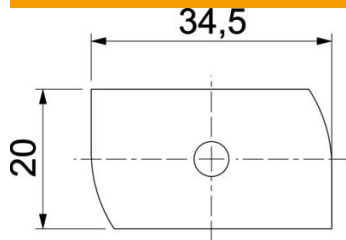
Technical data sheet

Hammer-head bolt ZL

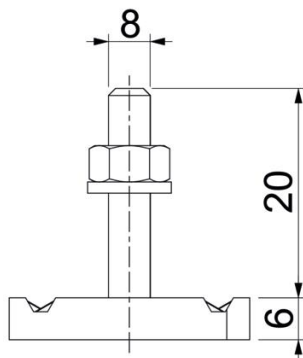
Item number: 1148350



Dimensions



Length	34.5 mm
Width	20 mm
Height	6 mm
Dimension H	6 mm
Dimension L	20 mm



Technical data

Torque	8 Nm
Suitable for mounting rail	yes
Thread	M8x20
Washer Ø	16 mm