

Technical data sheet

MWAG 12 A4 wall and support bracket

Item number: 6424412



Light-duty wall and support bracket with edged design for screwless mesh cable tray fastening.
Including truss-head bolt M10 x 25 for fastening to U supports.
Including truss-head bolt M10 x 25 for fastening to U supports.



A4 Stainless steel

2B Bright, treated

Master data

Item number	6424412
Type	MWAG 12 21 A4
Description 1	Wall and support bracket
Description 2	for mesh cable tray
Manufacturer	OBO
Dimension	B210mm
Material	Stainless steel
Surface	Bright, treated
Surface standard	
Smallest sales unit	1
Unit of quantity	Piece
Weight	26.9 kg
Weight unit	kg/100 pc.

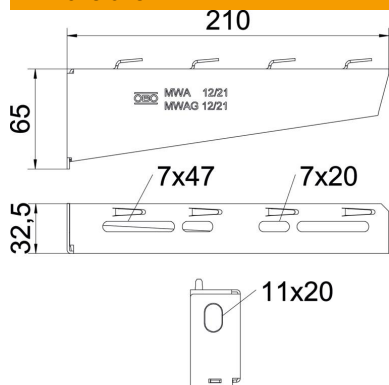
Technical data sheet

MWAG 12 A4 wall and support bracket

Item number: 6424412



Dimensions



Width	210 mm
Height	65 mm
Dimension A	32.5 mm
Dimension B	210 mm
Dimension H	65 mm

Technical data

Version for	Wall and support bracket
F in kN	1.2 kN
Maintain electrical functions for width min.	no
Hole diameter	200
Rustproof steel, pickled	11 mm
Angle range, max.	no
Angle range, min.	90 mm
	90 mm

Characteristic anchor load values for wall and support bracket MWAG 12

Wall fastening	Max. load [kN]			
	Bracket width [mm]			
Anchor type	110	210	310	410
BZ3 10x90/0-30	1.2	1.2	1.2	1.2

Die angegebenen Werte basieren auf ungerissenen Beton der Festigkeitsklasse C20/25. Die Einbaubedingungen der ETA-Zulassung (Dübel) sind zu beachten!

Load values for MWAG 12 on suspended support

Support	Max. total load F in kN			
	Bracket length in mm			
	100	200	300	400
US 3 K/ 20 - 60	1.2	1.2	1.2	1.2
US 3 K/ 70 - 120	1.2	1.2	1.2	1.2
US 5 K/ 20 - 60	1.2	1.2	1.2	1.2
US 5 K/ 70 - 120	1.2	1.2	1.2	1.2