

# Technical data sheet

## Wall and support bracket MWA 12 A4

Item number: 6424440



Light-duty wall and support bracket.  
Including truss-head bolt M10 x 25 for fastening to  
U supports.  
Including truss-head screw M10 x 25 for fastening to  
U supports.



**A4** Stainless steel

**2B** Bright, treated

### Master data

Item number	6424440
Type	MWA 12 11S A4
Description 1	Wall and support bracket
Description 2	with fastening bolt M10x20
Manufacturer	OBO
Dimension	B110mm
Material	Stainless steel
Surface	Bright, treated
Surface standard	
Smallest sales unit	1
Unit of quantity	Piece
Weight	16 kg
Weight unit	kg/100 pc.

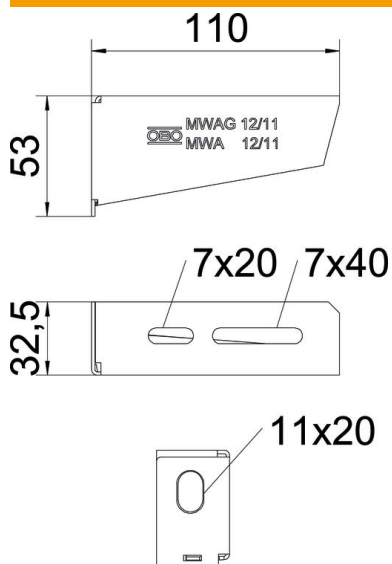
# Technical data sheet

## Wall and support bracket MWA 12 A4

Item number: 6424440



### Dimensions



Length	32.5 mm
Width	110 mm
Width	4 in
Height	53 mm
Height	2.09 in
Dimension A	32.5 mm
Dimension B	110 mm
Dimension H	53 mm
Dimension L	110 mm

### Technical data

Version for	Wall and support bracket
F in kN	1.2 kN
Maintain electrical functions	yes
Hole diameter	11 mm
Rustproof steel, pickled	no
Angle range, max.	90 mm
Angle range, min.	90 mm

### Characteristic anchor load values for wall and support bracket MWA 12

Wall fastening	Max. load [kN]			
	Bracket width [mm]			
Anchor type	110	210	310	410
BZ3 10x90/0-30	1.2	1.2	1.2	1.2

Die angegebenen Werte basieren auf ungerissenen Beton der Festigkeitsklasse C20/25. Die Einbaubedingungen der ETA-Zulassung (Dübel) sind zu beachten!

### Load values for MWA 12 on suspended support

Support	Max. total load F in kN			
	Bracket length in mm			
Support	100	200	300	400
US 3 K/ 20 - 60	1.2	1.2	1.2	1.2
US 3 K/ 70 - 120	1.2	1.2	1.2	1.2
US 5 K/ 20 - 60	1.2	1.2	1.2	1.2
US 5 K/ 70 - 120	1.2	1.2	1.2	1.2

