

# Technical data sheet

## Wall and support bracket MWA 12 FS

Item number: 6424710



Light-duty wall and support bracket with folded design.

Without bolt M10 x 25 for fastening to U supports.

Without truss-head bolt M10 x 25 for fastening to U supports.



**St** Steel

**FS** Strip galvanized

### Master data

Item number	6424710
Description 1	Wall and support bracket
Description 2	lightweight version
Manufacturer	OBO
Dimension	B210mm
Material	Steel
Surface	Strip galvanized
Surface standard	DIN EN 10346
Smallest sales unit	1
Unit of quantity	Piece
Weight	22.7 kg
Weight unit	kg/100 pc.

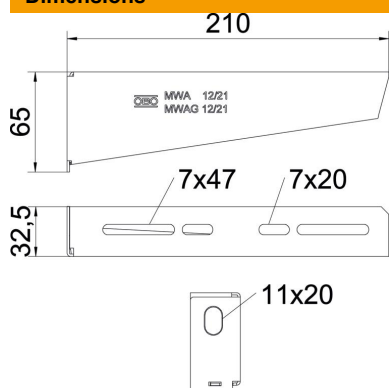
# Technical data sheet

## Wall and support bracket MWA 12 FS

Item number: 6424710



### Dimensions



Length	32.5 mm
Width	210 mm
Width	2.56 in
Height	65 mm
Height	8 in
Dimension A	32.5 mm
Dimension B	210 mm
Dimension H	65 mm

### Technical data

Version for	Wall and support bracket
F in kN	1.2 kN
Maintain electrical functions	yes
Hole diameter	11 mm
Rustproof steel, pickled	no
Angle range, max.	90 mm
Angle range, min.	90 mm

### Characteristic anchor load values for wall and support bracket MWA 12

Wall fastening	Max. load F [kN]			
	Bracket width [mm]			
Anchor type	110	210	310	410
BZ-U 8-10/75	1.2	0.95	0.7	0.65
BZ-U 10-10/90	1.2	1.2	1.2	1.2

Max. total load F = Cable weight + cable tray + bracket. The load capacity values increase considerably when used in uncracked concrete. The specified values are based on concrete of resistance grade C20/25. Comply with the installation conditions of the DIBt approval (anchors).

### Load values for MWA 12 on suspended support

Support	Max. total load F in kN			
	Bracket length in mm			
	100	200	300	400
US 3 K/ 20 - 60	1.2	1.2	1.2	1.2
US 3 K/ 70 - 120	1.2	1.2	1.2	1.2
US 5 K/ 20 - 60	1.2	1.2	1.2	1.2
US 5 K/ 70 - 120	1.2	1.2	1.2	1.2