

Technical data sheet

Wall and support bracket MWA 12 FS

Item number: 6424714



Light-duty wall and support bracket with folded design.

Without bolt M10 x 25 for fastening to U supports.

Without truss-head bolt M10 x 25 for fastening to U supports.



St Steel

FS Strip galvanized

Master data

Item number	6424714
Description 1	Wall and support bracket
Description 2	lightweight version
Manufacturer	OBO
Dimension	B410mm
Material	Steel
Surface	Strip galvanized
Surface standard	DIN EN 10346
Smallest sales unit	1
Unit of quantity	Piece
Weight	64.4 kg
Weight unit	kg/100 pc.

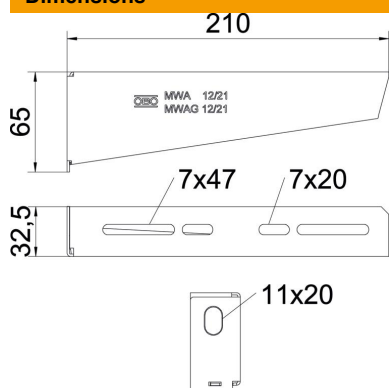
Technical data sheet

Wall and support bracket MWA 12 FS

Item number: 6424714



Dimensions



Length	38 mm
Width	410 mm
Width	3.27 in
Height	83 mm
Height	16 in
Dimension A	38 mm
Dimension B	410 mm
Dimension H	83 mm

Technical data

Version for	Wall and support bracket
F in kN	1.2 kN
Maintain electrical functions	yes
Hole diameter	11 mm
Rustproof steel, pickled	no
Angle range, max.	90 mm
Angle range, min.	90 mm

Characteristic anchor load values for wall and support bracket MWA 12

Anchor type	Wall fastening			
	Max. load F [kN]			
	Bracket width [mm]			
	110	210	310	410
BZ-U 8-10/75	1.2	0.95	0.7	0.65
BZ-U 10-10/90	1.2	1.2	1.2	1.2

Max. total load F = Cable weight + cable tray + bracket. The load capacity values increase considerably when used in uncracked concrete. The specified values are based on concrete of resistance grade C20/25. Comply with the installation conditions of the DIBt approval (anchors).

Load values for MWA 12 on suspended support

Support	Max. total load F in kN			
	Bracket length in mm			
	100	200	300	400
US 3 K/ 20 - 60	1.2	1.2	1.2	1.2
US 3 K/ 70 - 120	1.2	1.2	1.2	1.2
US 5 K/ 20 - 60	1.2	1.2	1.2	1.2
US 5 K/ 70 - 120	1.2	1.2	1.2	1.2