

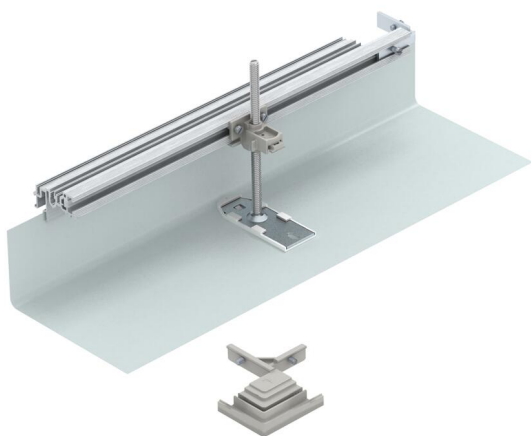
Technical data sheet

Construction set for 90° angle to right, height 40–150 mm

Item number: 7423976



For the construction-side creation of a trunking junction as a 90° angle, T-piece or crossing. A flushfloor end cover is also required for the creation of a 90° angle (order separately). Suitable for the OKA-G and OKA-W trunking systems.



St Steel

FS Strip galvanized

Master data

| | |
|---------------------|---------------------|
| Item number | 7423976 |
| Description 1 | Branch, right |
| Description 2 | for OKA-G and OKA-W |
| Manufacturer | OBO |
| Material | Steel |
| Surface | Strip galvanized |
| Surface standard | DIN EN 10346 |
| Smallest sales unit | 1 |
| Unit of quantity | Piece |
| Weight | 96.8 kg |
| Weight unit | kg/100 pc. |

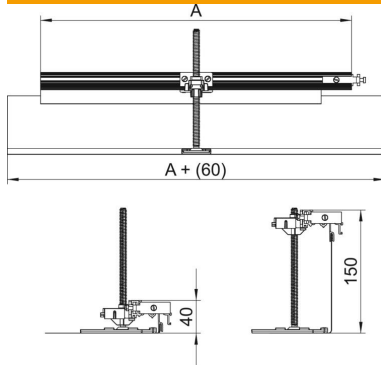
Technical data sheet

Construction set for 90° angle to right, height 40–150 mm

Item number: 7423976



Dimensions



| | |
|--------|--------|
| Length | 560 mm |
| Width | 500 mm |

Technical data

| | |
|---|--------|
| Mounting opening cover | no |
| Floor plate | no |
| Cover fastening, locking | no |
| Seal installation option | no |
| Installation opening for on-floor tank | no |
| Decouplable | no |
| Function | Branch |
| Suitable for expansion joint | no |
| Suitable for screed-flush closed underfloor ducts | no |
| Suitable for flushfloor, open underfloor trunking | no |
| Suitable for screed-covered underfloor ducts | no |
| Trunking height, max. | 150 mm |
| Duct height, min. | 40 mm |
| Minimum screed height | 40 |
| With connection opening | no |
| With equipotential bonding | no |
| With separating retainer | no |
| With overhang | yes |
| Height-adjustment range, max. | 110 mm |
| Height-adjustment range, min. | 0 mm |
| Removable cover | no |