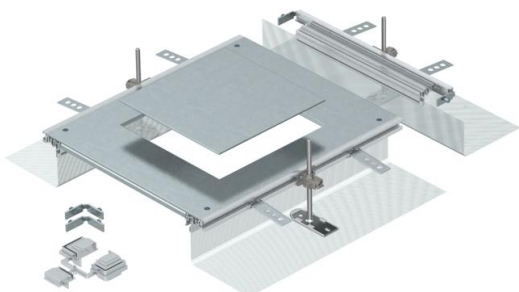


Technical data sheet

Extension unit for GES9, height 40–140 mm

Item number: 7424324



Ready for mounting trunking extension unit with a device installation lid for the installation of a flush-mount unit of nominal size 9, consisting of side profiles with attached flexible side wall made of metal mesh, floor covering contact profiles, trunking lid with blank, closed mounting opening and a trunking end piece. The scope of delivery contains 3 height-adjustable fixing brackets, 3 screed anchors, 1 lid butt support (without levelling unit – please order separately) and 1 construction set for 90° angle.

Size of the mounting unit suitable for the installation of a square installation unit of nominal size 9 or 9/55.



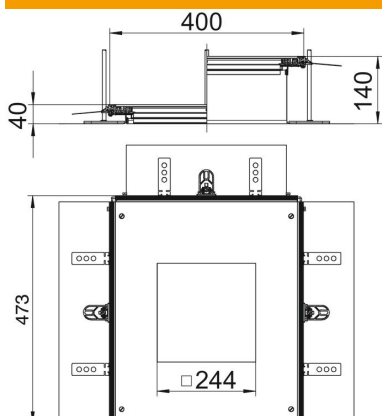
St Steel

FS Strip galvanized

Master data

| | |
|---------------------|-----------------------|
| Item number | 7424324 |
| Type | OKA-G A 40140 9 |
| Description 1 | Extension unit |
| Description 2 | for service unit GES9 |
| Manufacturer | OBO |
| Material | Steel |
| Surface | Strip galvanized |
| Surface standard | DIN EN 10346 |
| Smallest sales unit | 1 |
| Unit of quantity | Piece |
| Weight | 837 kg |
| Weight unit | kg/100 pc. |

Dimensions



| | |
|-------------|--------|
| Length | 460 mm |
| Width | 400 mm |
| Dimension a | 244 mm |
| Dimension A | 400 mm |
| Dimension h | 40 mm |

Technical data sheet

Extension unit for GES9, height 40–140 mm

Item number: 7424324



Technical data

| | |
|---|--------------------|
| Mounting opening cover | yes |
| Covers | 1 |
| Number of mounting openings | 1 |
| Floor plate | no |
| Cover fastening, locking | no |
| Seal installation option | yes |
| Installation opening for on-floor tank | no |
| Installation opening for flush-mount unit | Square |
| Decouplable | no |
| Suitable for expansion joint | no |
| Suitable for screed-flush closed underfloor ducts | no |
| Suitable for flushfloor, open underfloor trunking | yes |
| Suitable for screed-covered underfloor ducts | no |
| Trunking height, max. | 140 mm |
| Duct height, min. | 40 mm |
| Cover material thickness | 4 |
| Minimum screed height | 40 |
| With connection opening | yes |
| With equipotential bonding | no |
| With separating retainer | no |
| With overhang | yes |
| Mounting opening | For service outlet |
| Nominal size for device installation units | 9 |
| Height-adjustment range, max. | 140 mm |
| Height-adjustment range, min. | 40 mm |
| Removable cover | yes |