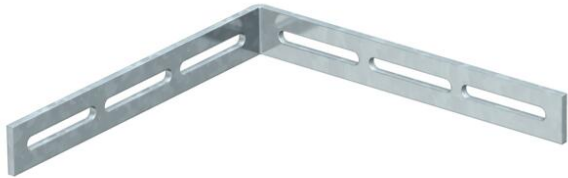


Technical data sheet

Slotted steel strap, bent

Item number: 6017371



Bent slotted steel strap for creation of bends and tees.
Set includes four clamps, type GKS 34.

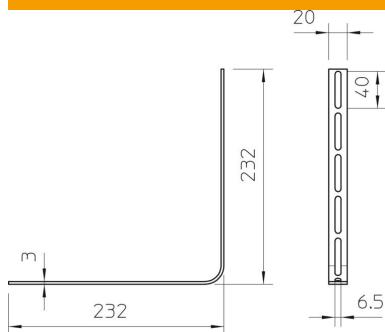


St	Steel
FT	Hot-dip galvanised

Master data

Item number	6017371
Type	OSG 20X3 FT
Description 1	Slotted strip
Description 2	curved
Manufacturer	OBO
Dimension	20x3
Material	Steel
Surface	Hot-dip galvanised
Surface standard	DIN EN ISO 1461
Smallest sales unit	25
Unit of quantity	Piece
Weight	15.8 kg
Weight unit	kg/100 pc.

Dimensions



Dimension	20x3
-----------	------