

Technical data sheet

PYROLINE® Con D PLC fire protection duct EI30 - EI60

Item number: 7215804



Fire protection duct made of water and frost-resistant fibreglass lightweight concrete of material class A1 according to EN 13501-1 for fireproof routing of cables in escape and rescue routes. EI30 - EI60 classification as installation duct according to EN 13501-2 on the basis of tests in accordance with EN 1366-5. When there is an internal fire load (cable fire), the duct prevents the spread of fire from one fire section to another.

Mounting of the duct directly on walls or under ceilings.

Including countersunk head screws and sealing strip.
Including countersunk head screws and sealing strip.



Fibreglass lightweight concrete

Master data

Item number	7215804
Type	PLCD D061220
Description 1	Fire protection duct EI60
Description 2	Direct installation
Manufacturer	OBO
Dimension	1000x200x120
Colour	Grey
Material	Fibreglass lightweight concrete
Smallest sales unit	1
Unit of quantity	Metre
Weight	1570 kg
Weight unit	kg/100 m

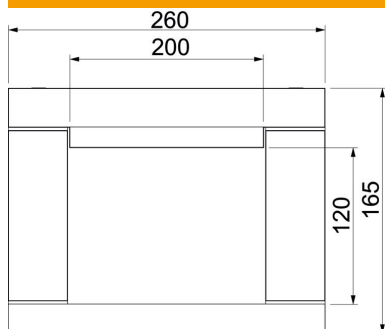
Technical data sheet

PYROLINE® Con D PLC fire protection duct EI30 - EI60

Item number: 7215804



Dimensions



Length	1,000 mm
Dimension B	260 mm
Dimension b	200 mm
Dimension h	120 mm
Dimension H	165 mm

Technical data

Number of flammable sides	3
Cover fastening	Screw
Classification EI - installation duct	60
With perforation	no
Jacketing	Without
Material of the insulation	Glass-fibre lightweight concrete