

Technical data sheet

Pressure clip for ceiling mounting, duct height 80 mm

Item number: 7218148



Installation aid against cables falling out during ceiling mounting of the PLM D 0810 installation duct.



St Steel

FS Strip galvanized

Master data

Item number	7218148
Description 1	Cable clamp
Description 2	for ceiling mounting
Manufacturer	OBO
Dimension	44x45x62
Material	Steel
Surface	Strip galvanized
Surface standard	DIN EN 10346
Smallest sales unit	10
Unit of quantity	Piece
Weight	9.3 kg
Weight unit	kg/100 pc.

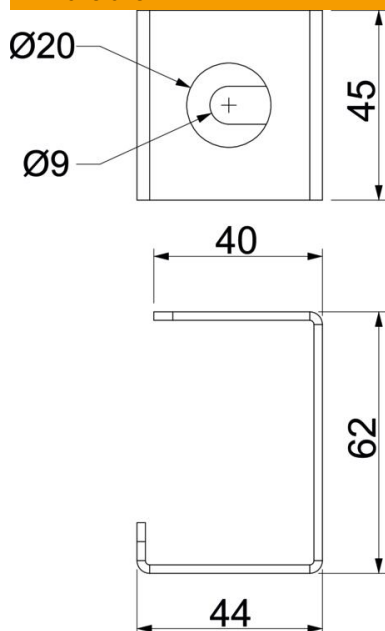
Technical data sheet

Pressure clip for ceiling mounting, duct height 80 mm

Item number: 7218148



Dimensions



Dimension B	44 mm
Dimension b	40 mm
Dimension H	62 mm
Dimension t	45 mm

Technical data

Type of accessory	Miscellaneous
Fastening type	Screw-on
Accessories	yes
Spare part	no