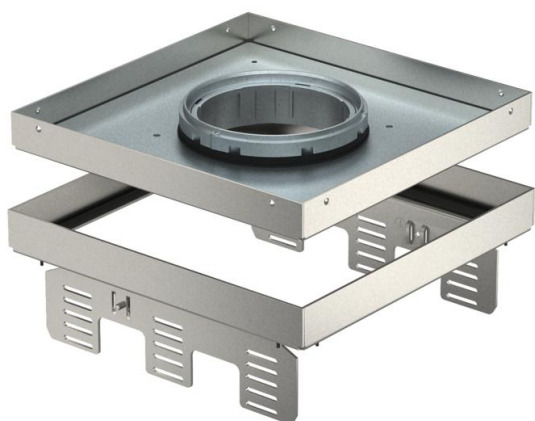


Technical data sheet

Height-adjustable cassette for tube body, RKFNUZD3, stainless steel

Item number: 7409378



Height-adjustable cassette, decoupled from the floor, of nominal size 9, for tube bodies, for the installation of accessories in dry or wet-cleaned floors for indoor use, for mounting in underfloor boxes UZD250-3 or UZD350-3, either in conjunction with a mounting lid DUG../9 or in UGD250-3/9 or UGD350-3/9. Mounting takes place using height adjustment brackets (order separately) in the aluminium frame profile of the underfloor boxes.

Height-adjustable cassette for tube body, 3-compartment. 3 APMT5 cover plates can be installed. For the installation of 3 UT4 universal supports for 9 individual installation devices with support ring/support clamp or 12 Modul 45 devices.



A2 Stainless steel

Master data

| | |
|---------------------|-----------------|
| Item number | 7409378 |
| Type | RKFNUZD3 9VS20 |
| Description 1 | Square cassette |
| Description 2 | for tube |
| Manufacturer | OBO |
| Dimension | 243x243mm |
| Material | Stainless steel |
| Smallest sales unit | 1 |
| Unit of quantity | Piece |
| Weight | 346 kg |
| Weight unit | kg/100 pc. |

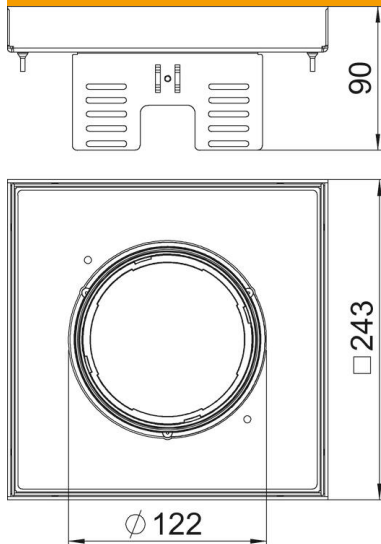
Technical data sheet

Height-adjustable cassette for tube body, RKFNUZD3,
stainless steel

Item number: 7409378



Dimensions



| | |
|-------------|--------|
| Length | 243 mm |
| Width | 243 mm |
| Height | 90 mm |
| Dimension h | 90 mm |

Technical data

| | |
|--|---------------------|
| Number of installable devices | 12 |
| Number of cable outlets | 1 |
| Version for | Square |
| Cable outlet version | Lowerable tube body |
| Floor care | Wet |
| Decouplable | yes |
| Floor height, min. | 105 mm |
| Suitable for raised floor installation | yes |
| Suitable for cavity floor installation | yes |
| Suitable for underfloor box | 250/350 |
| Device support to accept mounting boxes | no |
| Length of installation dimensions | 244 mm |
| Nominal size for device installation units | 9 |
| Protection rating (IP) when used | IP20 |
| Protection rating (IP) when unused | IP40 |
| Protection rating IK code | IK10 |
| Heavy-duty version | no |
| Installation system type | UT4 |
| Vertical load, large area | to 5,000 N |
| Approvals | VDE |
| Floor covering thickness | 20 mm |