

Technical data sheet

Aluminium pipe bend, with thread

Item number: 2046044



90° bend for electrical installation pipes according to EN 61386-1 with threaded ends to DIN EN 60423. With burr-free inner wall.
One connection sleeve is already screwed onto each pipe bend.



Alu Aluminium

Master data

Item number	2046044
Type	SBM25W ALU
Description 1	Aluminium conduit bend
Description 2	with thread
Manufacturer	OBO
Dimension	M25x1,5
Material	Aluminium
Smallest sales unit	25
Unit of quantity	Piece
Weight	11.5 kg
Weight unit	kg/100 pc.

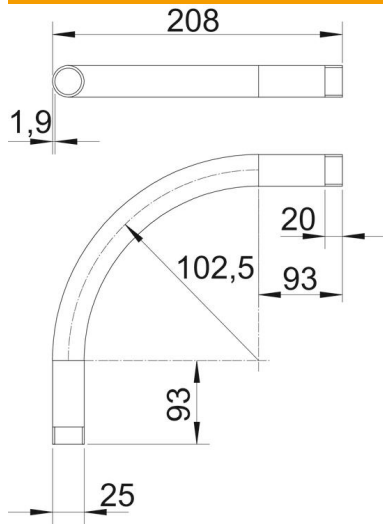
Technical data sheet

Aluminium pipe bend, with thread

Item number: 2046044



Dimensions



Dimension A	93 mm
Dimension B	208 mm
Dimension D	25 mm
Dimension l	20 mm
Dimension m (mm)	M25
Dimension R	102.5 mm
Dimension t	1.9 mm

Technical data

Version for	Thread
Flexible	no
For nominal pipe diameter	25 mm
Thread	M25x1,5
Halogen-free	no
With inspection opening and lid	no
With sleeve	yes
Brushed surface	no
Polished surface	no
Permitted temperature range, max.	250 °C
Permitted temperature range, min.	-45 °C
Angle of the bend	90 °
Two-part	no