

Technical data sheet

Aluminium pipe bend, with thread

Item number: 2046045



90° bend for electrical installation pipes according to EN 61386-1 with threaded ends to DIN EN 60423. With burr-free inner wall.
One connection sleeve is already screwed onto each pipe bend.



Alu Aluminium

Master data

Item number	2046045
Type	SBM32W ALU
Description 1	Aluminium conduit bend
Description 2	with thread
Manufacturer	OBO
Dimension	M32x1,5
Material	Aluminium
Smallest sales unit	20
Unit of quantity	Piece
Weight	20 kg
Weight unit	kg/100 pc.

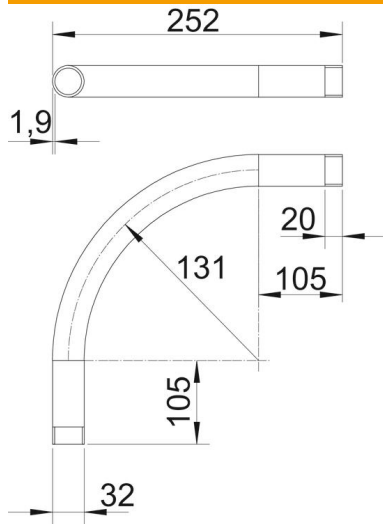
Technical data sheet

Aluminium pipe bend, with thread

Item number: 2046045



Dimensions



Dimension A	105 mm
Dimension B	252 mm
Dimension D	32 mm
Dimension l	20 mm
Dimension m (mm)	M32
Dimension R	131 mm
Dimension t	1.9 mm

Technical data

Version for	Thread
Flexible	no
For nominal pipe diameter	32 mm
Thread	M32x1,5
Halogen-free	no
With inspection opening and lid	no
With sleeve	yes
Brushed surface	no
Polished surface	no
Permitted temperature range, max.	250 °C
Permitted temperature range, min.	-45 °C
Angle of the bend	90 °
Two-part	no