

Technical data sheet

Lined body for rectangular installation unit of nominal size
4

Item number: 7425600



Screed protection cover for cavity floor with screed topping for height-adjustable square cassettes of nominal size 4.



PS Polystyrene

Master data

Item number	7425600
Type	SK HB 201X201
Description 1	Screed protection cover
Description 2	nominal size 4
Manufacturer	OBO
Colour	verkehrsrot; RAL 3020
Material	Polystyrene
Smallest sales unit	1
Unit of quantity	Piece
Weight	15 kg
Weight unit	kg/100 pc.

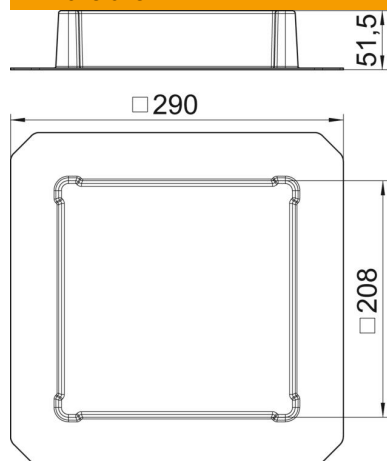
Technical data sheet

Lined body for rectangular installation unit of nominal size
4

Item number: 7425600



Dimensions



Length	345 mm
Width	345 mm
Height	51.5 mm
Dimension a	201 mm

Technical data

Screed height, min.	50 mm
Shape	Square
Halogen-free	yes
Nominal size for device installation units	4