

Technical data sheet

0° socket, protective contact, single

Item number: 6120012



Power socket, single 0°, with increased touch protection with screwless terminals, 2-pin, 16 A, 250 V~, with connection terminals to IEC 60884-1.

For installation in Rapid 45 trunking, device installation trunking, service poles, underfloor systems and desk boxes.



PC Polycarbonate

Master data

| | |
|---------------------|----------------------|
| Item number | 6120012 |
| Type | STD-D0 MZGN1 |
| Description 1 | Socket 0°, single |
| Description 2 | protective contact |
| Manufacturer | OBO |
| Dimension | 250V, 10/16A |
| Colour | Mint green; RAL 6029 |
| Material | Polycarbonate |
| Smallest sales unit | 1 |
| Unit of quantity | Piece |
| Weight | 4.2 kg |
| Weight unit | kg/100 pc. |

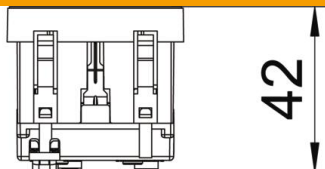
Technical data sheet

0° socket, protective contact, single

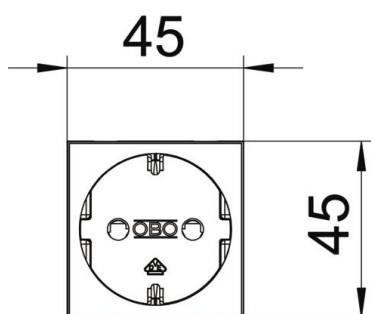
Item number: 6120012



Dimensions



| | |
|--------|-------|
| Width | 45 mm |
| Height | 45 mm |



Technical data

| | |
|--|--------------------|
| Cover | Central plate |
| Closable | no |
| Connection type | Screwless terminal |
| Number of units | 1 |
| Number of modules (for modular construction) | 0 |
| Number of switchable sockets | 0 |
| Number of poles | 2 |
| Printed label/coding | Without printing |
| Version for | single 0° |
| Surface version | Matt |
| Version for | SCHUKO |
| Ejection mechanism | no |
| Fastening type | Lock |
| Labelling panel | no |
| Operating temperature, max. | 40 °C |
| Operating temperature, min. | -5 °C |
| increased touch protection | yes |
| Error current protection | no |
| For more difficult conditions (according to VDE) | no |
| Power reserve | no |
| Halogen-free | yes |
| Insulated installation | no |
| Hinged cover | no |
| Coding | no |
| Warning light | no |
| With on/off switch | no |
| With fine-wire fuse | no |

Technical data sheet

0° socket, protective contact, single

Item number: 6120012



Technical data

| | |
|---------------------------|------------------------------|
| With functional lighting | no |
| With orientation lighting | no |
| Mounting type | Device installation duct |
| Nominal voltage | 250 V |
| Nominal current | 16 A |
| Protection rating | Other |
| Special power supply | Without special power supply |
| Socket version | Protective contact |
| Socket angle | 0° |
| Depth | 42 mm |
| Transparent | no |
| Rotated central insert | no |
| Approvals | VDE |
| Surge protection | no |