

Technical data sheet

Rail connector SV with 3 holes A4

Item number: 1123128



The rail connector is used to extend the mounting rail MS4141. The connection can be made simply and securely on the construction site or prefabricated in the workshop.

There is a guarantee that there is no weak point in the area of the rail coupling. The static values of the mounting rail apply here.

Scope of delivery:

Retaining plates, type 4141, and suitable hexagonal bolts included loosely.



A4 Stainless steel

2B Bright, treated

Master data

Item number	1123128
Type	SVE 41 A4
Description 1	Rail connector
Description 2	MS 41 profile rails
Manufacturer	OBO
Dimension	100x4mm
Material	Stainless steel
Surface	Bright, treated
Surface standard	
Smallest sales unit	10
Unit of quantity	Piece
Weight	42 kg
Weight unit	kg/100 pc.

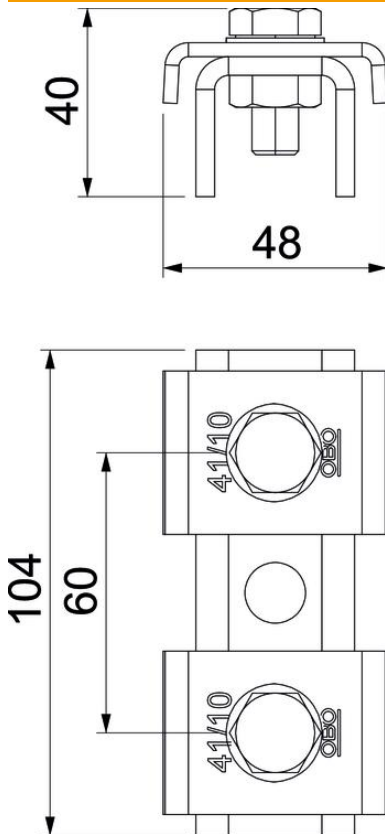
Technical data sheet

Rail connector SV with 3 holes A4

Item number: 1123128



Dimensions



Length	100 mm
Width	47 mm
Height	39.4 mm

Technical data

Type of perforation	Perforated back
Version for	Perforated
Version for	External connector
Drill hole spacing, centre	60 mm
Suitable for profile shapes	U profile
Hole size	12 mm
Material thickness	4 mm
With screw accessories	yes
Profile shape	C profile
Rustproof steel, pickled	no
Slot width	22 mm
Static value A	2.97 cm ²
Static value Iy	6.05 cm
Static value Iz	9.01 cm
Static value Wy	2.91 cm ²
Static value Wz	4.4 cm ²