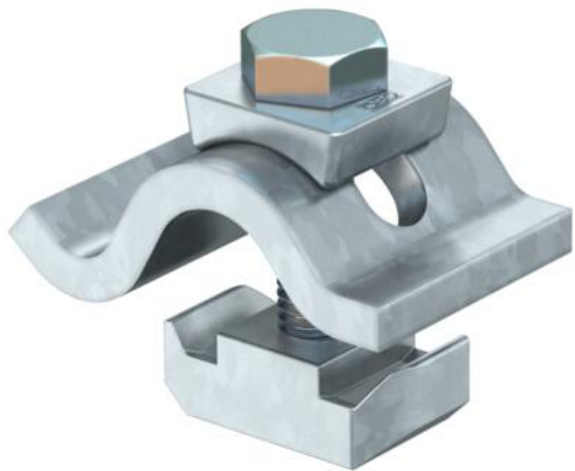


# Technical data sheet

## Chuck jaw, light duty TKH FT

Item number: 6355812



Light-duty chuck jaw with slide nut for fixing profile rails to steel girder flanges. The clamping range of the chuck jaw is limited to the maximum fastening thickness, 25 mm.

The chuck jaw is used in combination with profile rails of slot width 22 mm.



St

Steel

FT

Hot-dip galvanised

### Master data

Item number	6355812
Type	TKH-L-25 FT
Description 1	Tensioning claw, light
Description 2	with sliding nut
Manufacturer	OBO
Dimension	M10x50
Material	Steel
Surface	Hot-dip galvanised
Surface standard	DIN EN ISO 1461
Smallest sales unit	10
Unit of quantity	Pair
Weight	46 kg
Weight unit	kg/100 pairs

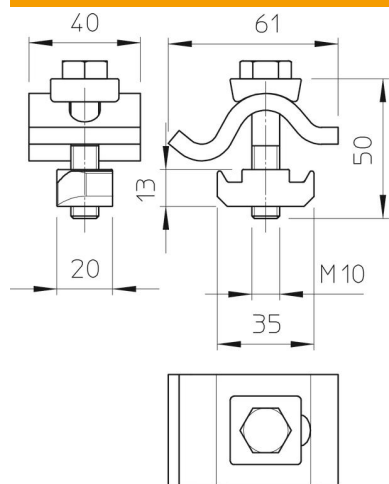
# Technical data sheet

## Chuck jaw, light duty TKH FT

Item number: 6355812



### Dimensions



Height	25 mm
--------	-------

### Technical data

F in kN	10 kN
Suitable for flange thickness, max.	25 mm
Suitable for flange thickness, min.	15 mm
Thread metric	10
Bolt	M10 x 25