

# Technical data sheet

## Chuck jaw, light-duty TKS A4

Item number: 6355837



Chuck jaw with hexagonal nut for direct fastening of structures to steel girders. The clamping range of the chuck jaw is limited to the maximum fastening thickness of 36 mm.



**A4** Stainless steel

### Master data

Item number	6355837
Type	TKS-L36 M12 A4
Description 1	Tensioning claw, light
Manufacturer	OBO
Dimension	M12x80
Material	Stainless steel
Smallest sales unit	1
Unit of quantity	Piece
Weight	36 kg
Weight unit	kg/100 pc.

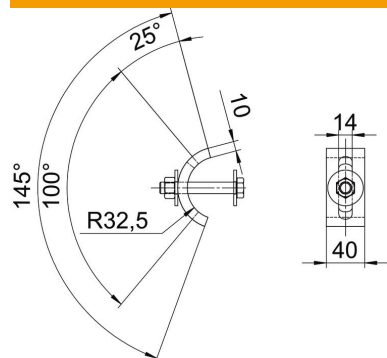
# Technical data sheet

## Chuck jaw, light-duty TKS A4

Item number: 6355837



### Dimensions



Height	36 mm
--------	-------

### Technical data

F in kN	10 kN
Suitable for flange thickness, max.	36 mm
Suitable for flange thickness, min.	16 mm
Thread metric	12
Bolt	M12 x 80