

Technical data sheet

Chuck jaw, light-duty TKS A4

Item number: 6355835



Chuck jaw with hexagonal nut for direct fastening of structures to steel girders. The clamping range of the chuck jaw is limited to the maximum fastening thickness of 36 mm.



A4 Stainless steel

Master data

| | |
|---------------------|------------------------|
| Item number | 6355835 |
| Type | TKS-L36 M8 A4 |
| Description 1 | Tensioning claw, light |
| Manufacturer | OBO |
| Dimension | M8x80 |
| Material | Stainless steel |
| Smallest sales unit | 1 |
| Unit of quantity | Piece |
| Weight | 16 kg |
| Weight unit | kg/100 pc. |

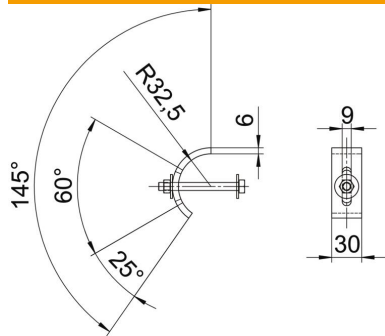
Technical data sheet

Chuck jaw, light-duty TKS A4

Item number: 6355835



Dimensions



| | |
|--------|-------|
| Height | 36 mm |
|--------|-------|

Technical data

| | |
|-------------------------------------|---------|
| F in kN | 10 kN |
| Suitable for flange thickness, max. | 36 mm |
| Suitable for flange thickness, min. | 16 mm |
| Thread metric | 8 |
| Bolt | M8 x 80 |