

Technical data sheet

Ceiling bracket, trapezoidal A2

Item number: 6357516



Trapezoidal fastening for suspended mounting of cable support systems on standard trapezoidal ceilings.

Important: Observe the statics of the trapezoidal metal ceiling.

When using the holes provided, the trapezoidal fastening can be mounted onto a trapezoidal profile width of up to approx. 80 mm. Fastening takes place with the type TPB R lock or a hexagonal bolt of type SKS 10x110.

Scope of supply without bolt, type TPB/R and hexagonal bolt, type SKS 10x110.



A2 Stainless steel

2B Bright, treated

Master data

Item number	6357516
Type	TPB 100 A2
Description 1	Trapezoidal fastening
Manufacturer	OBO
Dimension	100x116
Material	Stainless steel
Surface	Bright, treated
Surface standard	
Smallest sales unit	20
Unit of quantity	Piece
Weight	9.9 kg
Weight unit	kg/100 pc.

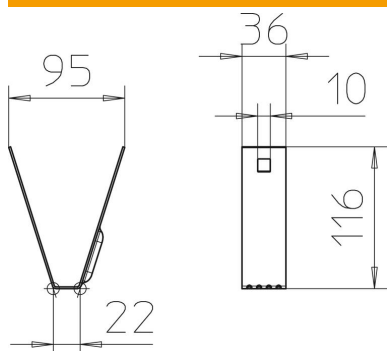
Technical data sheet

Ceiling bracket, trapezoidal A2

Item number: 6357516



Dimensions



Length	36 mm
Width	100 mm
Height	116 mm

Technical data

F in kN	0.8 kN
Maintain electrical functions	no
Suitable for metric threaded rod	10
Material thickness	1.5 mm
Rustproof steel, pickled	yes
Hinged	no
Adjustable	yes