

# Technical data sheet

## TP wall and ceiling bracket FT

Item number: 6365981



TP wall and ceiling bracket with clamping lugs for screwless mesh cable tray fastening.

If the wall and ceiling bracket is fastened directly to the wall or ceiling, then, for reasons of stability, always use the spacer, type DS 4.

Max. side height of the cable support system 60 mm.



**St** Steel

**FT** Hot-dip galvanised

### Master data

|                     |                          |
|---------------------|--------------------------|
| Item number         | 6365981                  |
| Type                | TPDG 245 FT              |
| Description 1       | Wall and ceiling bracket |
| Description 2       | for mesh cable tray      |
| Manufacturer        | OBO                      |
| Dimension           | B245mm                   |
| Material            | Steel                    |
| Surface             | Hot-dip galvanised       |
| Surface standard    | DIN EN ISO 1461          |
| Smallest sales unit | 5                        |
| Unit of quantity    | Piece                    |
| Weight              | 70 kg                    |
| Weight unit         | kg/100 pc.               |

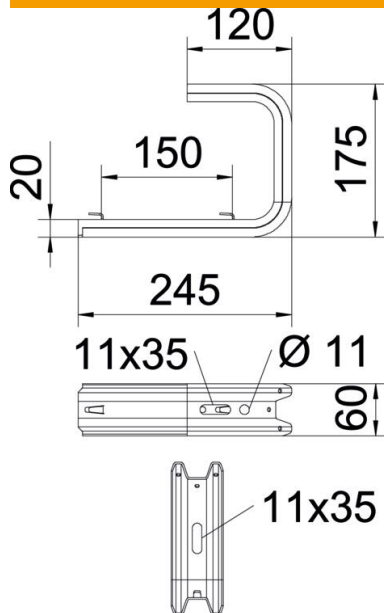
# Technical data sheet

## TP wall and ceiling bracket FT

Item number: 6365981



### Dimensions

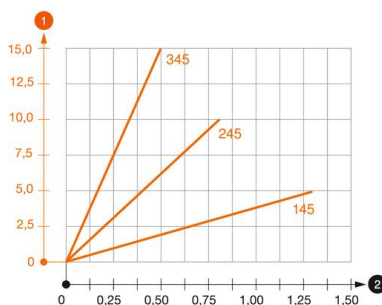


|             |        |
|-------------|--------|
| Length      | 175 mm |
| Width       | 245 mm |
| Height      | 60 mm  |
| Dimension B | 245 mm |
| Dimension L | 150 mm |

### Technical data

|                                |                              |
|--------------------------------|------------------------------|
| Version for                    | Suspension bracket (C clamp) |
| F in kN ceiling                | 0.8 kN                       |
| F in kN wall                   | 0.87 kN                      |
| Maintain electrical functions  | no                           |
| for width max.                 | 200 mm                       |
| for width min.                 | 200                          |
| Suitable for mesh cable tray   | yes                          |
| Suitable for cable ladder      | no                           |
| Suitable for cable tray        | no                           |
| Suitable for tray/ladder width | 200 mm                       |

### Loads



#### Load diagram, ceiling clamp TPDG

- 1 Bending of the bracket tip at permitted bracket load
- 2 Permitted bracket load in kN without man load
- Load curve with bracket lengths in mm

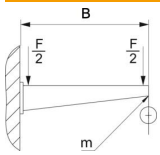
# Technical data sheet

## TP wall and ceiling bracket FT

Item number: 6365981



### Characteristic anchor load values for TPDG wall and ceiling bracket



| Wall fastening | Max. load [kN]      |      |      |      |      |
|----------------|---------------------|------|------|------|------|
|                | Bracket length [mm] |      |      |      |      |
| Anchor type    | 145                 | 245  | 345  | 445  | 545  |
| BZ3 8x95/0-40  | 0.56                | 0.53 | 0.50 | 0.47 | 0.44 |
| BZ3 10x90/0-30 | 1.03                | 0.96 | 0.68 | 0.54 |      |

Max. total load  $F$  = cable weight + cable tray + ceiling bracket. The load capacity values increase considerably when used in uncracked concrete. The values given are based on concrete of strength class C20/25.