

# Technical data sheet

## TP wall and ceiling bracket A2

Item number: 6365995



TP wall and ceiling bracket with clamping lugs for screwless mesh cable tray fastening.

If the wall and ceiling bracket is fastened directly to the wall or ceiling, then, for reasons of stability, always use the spacer, type DS 4.

Max. side height of the cable support system 60 mm.



**A2** Stainless steel

**2B** Bright, treated

### Master data

Item number	6365995
Type	TPDG 345 A2
Description 1	Wall and ceiling bracket
Description 2	for mesh cable tray
Manufacturer	OBO
Dimension	B345mm
Material	Stainless steel
Surface	Bright, treated
Surface standard	
Smallest sales unit	5
Unit of quantity	Piece
Weight	81 kg
Weight unit	kg/100 pc.

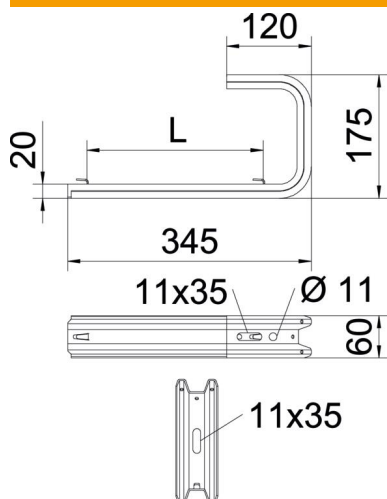
# Technical data sheet

## TP wall and ceiling bracket A2

Item number: 6365995

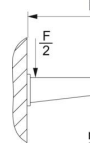


### Dimensions



Length	175 mm
Width	345 mm
Height	60 mm
Dimension B	345 mm
Dimension H	175 mm
Dimension L	250 mm

### Chara

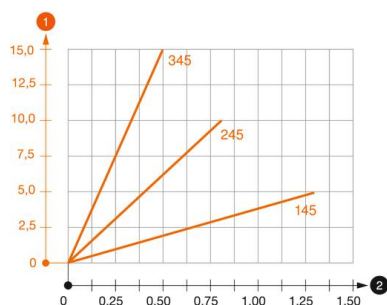


Max. tota  
lues give

### Technical data

Version for	Suspension bracket (C clamp)
F in kN ceiling	0.5 kN
F in kN wall	0.55 kN
Maintain electrical functions for width max.	no
for width min.	300 mm
Suitable for mesh cable tray	yes
Suitable for cable ladder	no
Suitable for cable tray	no
Suitable for tray/ladder width	300 mm

### Loads



#### Load diagram, ceiling clamp TPDG

- 1 Bending of the bracket tip at permitted bracket load
- 2 Permitted bracket load in kN without man load
- Load curve with bracket lengths in mm