

Technical data sheet

TP support / wall and support bracket A2

Item number: 6366149



TP bracket with clamping lugs for screwless mesh cable tray fastening. If the bracket is fastened directly to the wall or the profiles are screwed together, then, for reasons of stability, always use the spacer, type DS 4. Mesh cable trays with a 50 x 100 mm grid width, e.g. type GRL, GR and GRM, can be fastened to the TP bracket without screws.



A2 Stainless steel

2B Bright, treated

Master data

Item number	6366149
Type	TPSAG 345 A2
Description 1	TP wall and support bracket
Description 2	for mesh cable tray
Manufacturer	OBO
Dimension	B345mm
Material	Stainless steel
Surface	Bright, treated
Surface standard	
Smallest sales unit	1
Unit of quantity	Piece
Weight	61 kg
Weight unit	kg/100 pc.

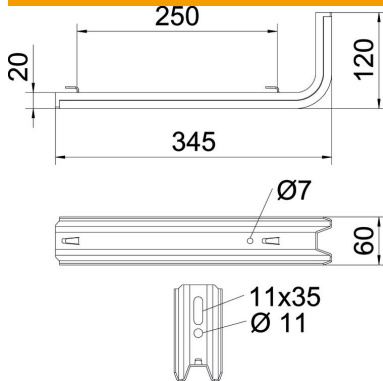
Technical data sheet

TP support / wall and support bracket A2

Item number: 6366149



Dimensions

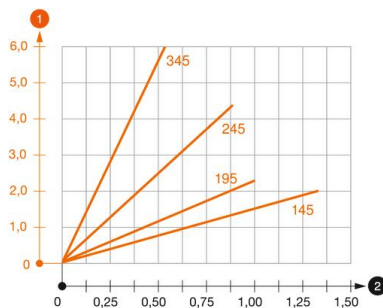


Length	345 mm
Width	60 mm
Height	120 mm
Dimension B	60 mm
Dimension H	120 mm
Dimension L	345 mm
Maß W	250 mm

Technical data

F in kN	0.55 kN
Maintain electrical functions for width max.	no
for width min.	300 mm
Rustproof steel, pickled	no

Loads



Load diagram, bracket, type TPSAG

- 1 Bending of the bracket tip at permitted bracket load
- 2 Permitted bracket load in kN without man load
- 2 Support width in m

Characteristic anchor load values for TP bracket

Single-sided bracket load			
		Max. total load F in kN	
		Bracket length in mm	
F kN		145	245
2.4		1.50	0.90
4.3		1.50	1.3
			345
			0.55
			0.80

Max. total load F = cable weight + cable tray + ceiling clamp. The load capacity values increase considerably when used in uncracked concrete. The values given are based on concrete of strength class C20/25.