

Technical data sheet

Junction box T 60, plug-in seal

Item number: 2007672



Junction box for the connection of cables indoors and in protected outdoor areas. Square design with plug-in seals to the sides and knock-out entries in the bottom. Suitable for wall and ceiling mounting and on mounting panels. With the option of fastening inside and to mount via the corner domes. Green cover for the labelling of specially designated cables and special circuits in the electrical installation (e.g. backup power, bus systems, etc.). Cover with quick lock, sealable. Made from halogen-free, UV-resistant materials.

Junction box according to DIN EN 60670. Flame-resistant to DIN EN 60695/2/11, test temperature 650°C. Impact resistance IK07 according to DIN EN 50102.



PP Polypropylene

Master data

Item number	2007672
Type	T 60 GR-LGR
Description 1	Junction box
Description 2	with entries, green cover
Manufacturer	OBO
Colour	Grey / green
Material	Polypropylene
Smallest sales unit	5
Unit of quantity	Piece
Weight	12.3 kg
Weight unit	kg/100 pc.

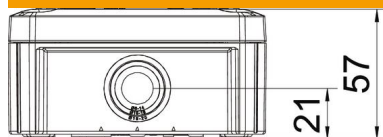
Technical data sheet

Junction box T 60, plug-in seal

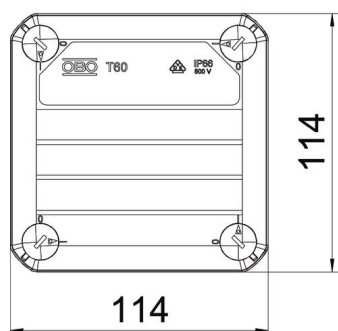


Item number: 2007672

Dimensions



Length	114 mm
Width	114 mm
Height	57 mm



Technical data

Expandable	yes
No. of entries	7
Type of insertion...	Plug-in seal
Type of entry	Cable
Type of housing penetration	Cuttable stepped membrane
Measured insulation voltage V_i	500 V
Cover	Not transparent
Cover fastening	Screwed
Entry from rear	yes
Entries	7 x M25
Explosion-tested version	no
Flame-resistant	acc. to VDE 0471/DIN 695 Part 2-1, test temperature 650°C
Shape	Square
Maintain electrical functions	Without
For Ex zone	Without
For Ex zone gas	Without
For Ex zone dust	Without
Fibre-glass reinforced	no
Halogen-free	yes
Clear internal dimensions	100x100x48 mm
With screening	no
with lid	yes
Mounting type	Wall/ceiling mounting
Nominal cross-section, min.	6 mm ²
Nominal voltage	500 V
Sealable	yes
Protection rating	IP66
Protection rating IK code	IK07
Permitted temperature range, max.	60 °C

Technical data sheet

Junction box T 60, plug-in seal

Item number: 2007672



Technical data

Permitted temperature range, min.	-5 °C
Weatherproof	no