

# Technical data sheet

UDHOME2 floor socket, with cord outlet, without floor covering recess, unequipped, stainless steel  
Item number: 7368342



Square floor socket for use in dry-care cavity and screed floors in indoor areas. Installation housing with pre-marked insertion openings for pipes (M20/M25). Cover adjustable to top edge of floor covering using four height-adjustment supports. The minimum installation depth is 100 mm, the height-adjustment range is +35 mm.

Frame and cover made of stainless steel and visible in the floor covering. Up to 2 modular data sockets can be installed in the optional mounting support. The load-bearing capacity of 15 kN is only guaranteed when in an unused state.



A2 Stainless steel

## Master data

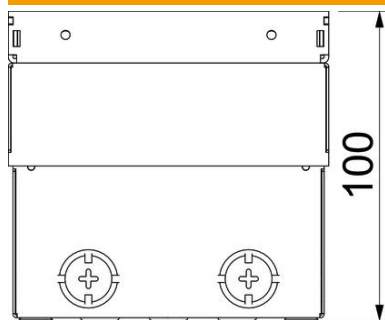
|                     |                 |
|---------------------|-----------------|
| Item number         | 7368342         |
| Type                | UDHOME2 GV      |
| Description 1       | Floor socket    |
| Description 2       | unequipped      |
| Manufacturer        | OBO             |
| Dimension           | 140x140x110     |
| Material            | Stainless steel |
| Smallest sales unit | 1               |
| Unit of quantity    | Piece           |
| Weight              | 220 kg          |
| Weight unit         | kg/100 pc.      |

# Technical data sheet

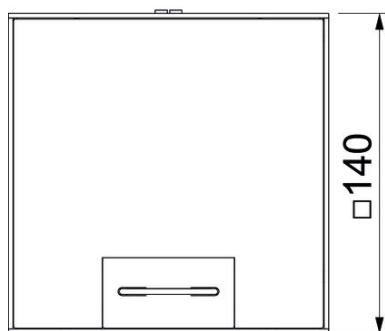
UDHOME2 floor socket, with cord outlet, without floor covering recess, unequipped, stainless steel  
Item number: 7368342



## Dimensions



|        |        |
|--------|--------|
| Length | 140 mm |
| Width  | 140 mm |
| Height | 100 mm |



# Technical data sheet

UDHOME2 floor socket, with cord outlet, without floor covering recess, unequipped, stainless steel  
Item number: 7368342



## Technical data

|   |                             |
|---|-----------------------------|
| Number of installable devices                     | 2                           |
| Version for                                       | Square                      |
| Cable outlet version                              | Swivellable cord outlet     |
| Equipment   | Empty housing               |
| Floor covering protection frame                   | no                          |
| Floor care  | Dry                         |
| Cover version                                     | Decorative plate            |
| Seal installation option                          | no                          |
| Application when used                             | 6.101.1 Dry floor care      |
| Application when unused                           | 6.101.1 Dry floor care      |
| Floor height, max.                                | 135 mm                      |
| Floor height, min.                                | 100 mm                      |
| Suitable for raised floor installation            | yes                         |
| Suitable for screed-flush closed underfloor ducts | no                          |
| Suitable for screed-covered underfloor ducts      | no                          |
| Suitable for cavity floor installation            | yes                         |
| Suitable for wet care                             | no                          |
| Suitable for underfloor ducts                     | no                          |
| Device support to accept mounting boxes           | no                          |
| With floor covering recess                        | no                          |
| Nominal size for device installation units        | 2                           |
| Standard  | EN 50085-2-2                |
| Frame version                                     | Floor covering contact edge |
| Protection rating (IP) when used                  | IP20                        |
| Protection rating (IP) when unused                | IP40                        |
| Protection rating IK code                         | IK10                        |
| Heavy-duty version                                | no                          |
| Vertical load, small area                         | to 3,000 N                  |
| Approvals   | VDE                         |
| Opening mechanism                                 | Handle                      |