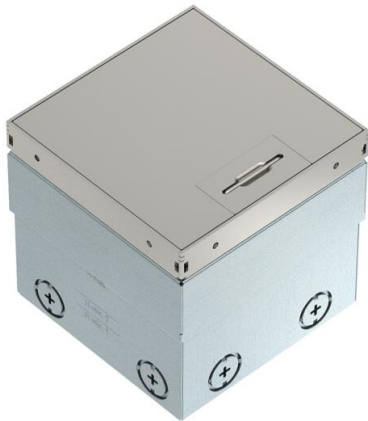


# Technical data sheet

UDHOME2 floor socket, with cord outlet, without floor covering recess, 2x VDE, stainless steel  
Item number: 7368326



Square floor socket for use in dry-care cavity and screed floors in indoor areas. Installation housing with pre-marked insertion openings for pipes (M20/M25). Cover adjustable to top edge of floor covering using four height-adjustment supports. The minimum installation depth is 100 mm, the height-adjustment range 35 mm. Frame and cover made of stainless steel and visible in the floor covering. With 2 Modul 45® sockets in the mounting support and an optional data technology support for up to 2 data connection modules. The load-bearing capacity of 15 kN is only guaranteed when in an unused state. Im Lieferumfang ist eine 2-fach Schutzkontaktsteckdose enthalten.

Bis zu zwei modulare Datenbuchsen können im optionalen Datentechnikträger eingebaut werden.



A2 Stainless steel

## Master data

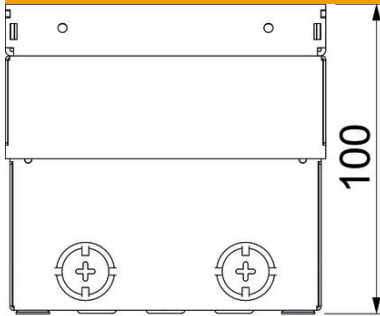
|                     |                        |
|---------------------|------------------------|
| Item number         | 7368326                |
| Type                | UDHOME2 GVV            |
| Description 1       | Floor socket           |
| Description 2       | with double VDE socket |
| Manufacturer        | OBO                    |
| Dimension           | 140x140x110            |
| Material            | Stainless steel        |
| Smallest sales unit | 1                      |
| Unit of quantity    | Piece                  |
| Weight              | 220 kg                 |
| Weight unit         | kg/100 pc.             |

# Technical data sheet

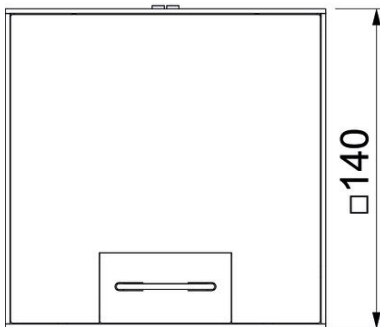
UDHOME2 floor socket, with cord outlet, without floor covering recess, 2x VDE, stainless steel  
Item number: 7368326



## Dimensions



|        |        |
|--------|--------|
| Length | 140 mm |
| Width  | 140 mm |
| Height | 100 mm |



## Technical data

|   |                         |
|---|-------------------------|
| Number of installable devices                     | 2                       |
| Version for                                       | Square                  |
| Cable outlet version                              | Swivellable cord outlet |
| Equipment   | Double VDE socket       |
| Floor covering protection frame                   | no                      |
| Floor care  | Dry                     |
| Cover version                                     | Decorative plate        |
| Application when used                             | 6.101.1 Dry floor care  |
| Application when unused                           | 6.101.1 Dry floor care  |
| Floor height, max.                                | 135 mm                  |
| Floor height, min.                                | 100 mm                  |
| Suitable for raised floor installation            | yes                     |
| Suitable for screed-flush closed underfloor ducts | no                      |
| Suitable for screed-covered underfloor ducts      | no                      |
| Suitable for cavity floor installation            | yes                     |
| Suitable for wet care                             | no                      |
| Suitable for underfloor ducts                     | no                      |
| Device support to accept mounting boxes           | no                      |
| With floor covering recess                        | no                      |
| Nominal size for device installation units        | 2                       |

# Technical data sheet

UDHOME2 floor socket, with cord outlet, without floor covering recess, 2x VDE, stainless steel

Item number: 7368326



## Technical data

|                                    |                             |
|------------------------------------|-----------------------------|
| Standard                           | EN 50085-2-2                |
| Frame version                      | Floor covering contact edge |
| Protection rating (IP) when used   | IP20                        |
| Protection rating (IP) when unused | IP40                        |
| Protection rating IK code          | IK10                        |
| Heavy-duty version                 | no                          |
| Vertical load, small area          | to 3,000 N                  |
| Approvals                          | VDE                         |
| Opening mechanism                  | Handle                      |