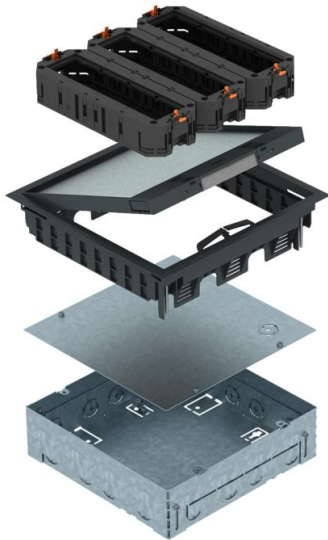


Technical data sheet

Complete solution, GES9 service outlet

Item number: 7427422



Square installation unit for twelve Modul 45 installation devices, for use in dry-care cavity floors and screed floors for indoor use, consisting of an installation housing, GES9-2 service unit, three UT universal supports and two double 33° protective contact sockets, in white. Installation housing with pre-marked insertion openings for pipelines (M25), adjustable to top edge of screed. In the as-delivered state, the installation housing is closed with a blanking lid. After screed work, the service outlet can be inserted in the created mounting opening. 3, 5, 8 or 10 mm floor covering recess in the hinged cover of the service outlet.

The minimum installation depth is 73 mm, the height-adjustment range +30 mm.



PA Polyamide

Master data

Item number	7427422
Type	UDHOME GES9 9011
Description 1	Service outlet
Description 2	with installation housing
Manufacturer	OBO
Dimension	264x264x73mm
Colour	Graphite black; RAL 9011
Material	Polyamide
Smallest sales unit	1
Unit of quantity	Piece
Weight	357.5 kg
Weight unit	kg/100 pc.

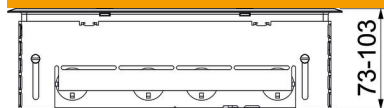
Technical data sheet

Complete solution, GES9 service outlet

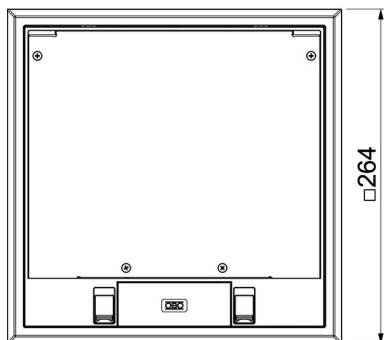
Item number: 7427422



Dimensions



Length	247 mm
Width	247 mm



Technical data

Cable outlet version	Swivellable cord outlet
Screed height, max.	100 mm
Screed height, min.	80 mm
Protection rating (IP) when used	IP20
Protection rating (IP) when unused	IP40
Protection rating IK code	IK08
Opening mechanism	Locking slider
Floor covering thickness	5 mm