

Technical data sheet

Underfloor box UDS4 for PVC duct

Item number: 7400348



Underfloor outlet box with fixed, unchangeable 201 x 201 mm installation opening for an installation unit of nominal size 4. The mounting opening is created using the screed protection cover contained in the scope of supply. The underfloor box possesses installation openings for three single-compartment PVC ducts of nominal size 60 x 25 and 90 x 35 on all four sides. The box is principally suited for use in floor structures in cement screed with a structure height of up to 90 mm.



St Steel

FS Strip galvanized

Master data

Item number	7400348
Type	UDSPD 9035 4
Description 1	Underfloor box
Description 2	for GES4
Manufacturer	OBO
Dimension	308x308x92
Material	Steel
Surface	Strip galvanized
Surface standard	DIN EN 10346
Smallest sales unit	1
Unit of quantity	Piece
Weight	246 kg
Weight unit	kg/100 pc.

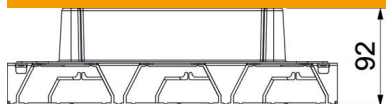
Technical data sheet

Underfloor box UDS4 for PVC duct

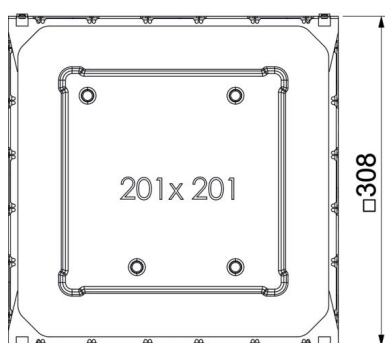
Item number: 7400348



Dimensions



Length	308 mm
Width	308 mm
Height	92 mm



Technical data

Floor plate	yes
Seal installation option	no
Installation opening for on-floor tank	no
Installation opening for flush-mount unit	Square
Screed height, max.	90 mm
Screed height, min.	65 mm
Suitable for screed-covered underfloor ducts	yes
Trunking width, max.	90 mm
Trunking width, min.	60 mm
Trunking height, max.	35 mm
Duct height, min.	25 mm
Nominal size for device installation units	4