

Technical data sheet

Cable gland, metric thread, black

Item number: 2022883



Cable gland with metric connection thread in cap nut design, suitable for junction boxes, housings, distributor boxes in private and industrial areas. With strain relief and integrated sealing lip, tested according to DIN EN 62444. Protection class IP68. Can be used between -20°C and $+65^{\circ}\text{C}$.



PA Polyamide

Master data

Item number	2022883
Type	V-TEC VM12 SW
Description 1	Cable gland
Description 2	fully metric
Manufacturer	OBO
Dimension	M12
Colour	Black
Material	Polyamide
Smallest sales unit	50
Unit of quantity	Piece
Weight	0.318 kg
Weight unit	kg/100 pc.

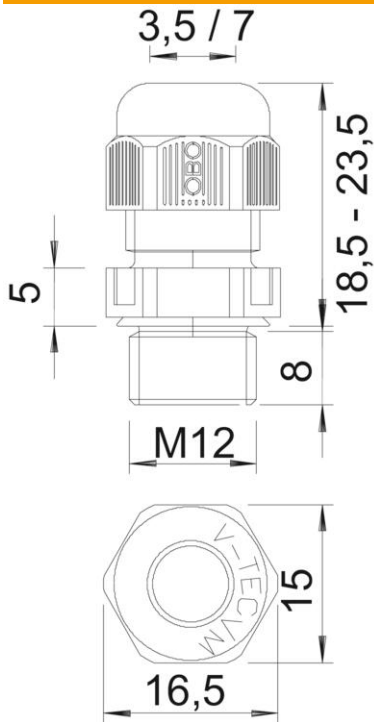
Technical data sheet

Cable gland, metric thread, black

Item number: 2022883



Dimensions



Dimension E	16.5 mm
Dimension L max.	23.5 mm
Dimension L min.	18.5 mm
Dimension L1	8 mm
Dimension L2	5 mm

Technical data

Type of seal	Sealing ring
Version for	Straight
Bend protection	no
Sealing area D, max.	7 mm
Sealing area D, min.	3.5 mm
explosion-proof	no
Flat cable gland	no
Flame-resistant	acc. to VDE 0471/DIN 695 Part 2-1, test temperature 650°C
For Ex zone	Without
For Ex zone gas	Without
For Ex zone dust	Without
Thread	M12 x 1,5
Thread type	Metric
Thread length	8 mm
Nominal thread size	12
Thread increase	1.5 mm
Fibre-glass reinforced	no
Halogen-free	yes
Unstable torque	2 Nm
Impact category	3
Strain relief category	A
Sealing insert, multiple	no

Technical data sheet

Cable gland, metric thread, black

Item number: 2022883



Technical data

With locknut	no
Impact-resistant	no
WAF	15
Protection rating	IP68
Hexagonal corner dimension	16.5 mm
Splittable gland	no
Permitted temperature range, max.	65 °C
Permitted temperature range, min.	-20 °C
Strain relief option	yes