

# Technical data sheet

HoverCube VH-4, 3x protective contact socket, 1x CEE 16 A

Item number: 6109804



Housing equipped and prewired with suspension lug, grip hook and four cover plates.

Equipped as follows:  
3 x single protective contact sockets 16 A/250 V with increased touch protection, prewired for an AC current, connection via 1 x 3-pole terminal, 1 x CEE socket 16 A/415 V, with partition for circuit separation.



PA Polyamide

## Master data

Item number	6109804
Type	VH-4 3SD1C16
Description 1	HoverCube
Description 2	IP20, with grip, equipped
Manufacturer	OBO
Dimension	140x140x252
Colour	Graphite black; RAL 9011
Material	Polyamide
Smallest sales unit	1
Unit of quantity	Piece
Weight	115.7 kg
Weight unit	kg/100 pc.

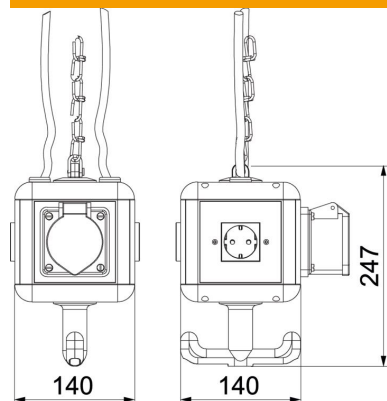
# Technical data sheet

HoverCube VH-4, 3x protective contact socket, 1x CEE 16 A



Item number: 6109804

## Dimensions



Width	140 mm
Height	247 mm

## Technical data

Number of SCHUKO sockets	3
CEE socket, 125 A	Without
CEE socket, 16 A	1x16A5p400V
CEE socket, 32 A	Without
CEE socket, 63 A	Without
Supply/connection option	Miscellaneous
FI protection switch	Without
Handling	abhängbar
Military version	no
Protection rating	IP20
Other installations and/or empty slots	0
Depth	196 mm
Number of CEE sockets	1
Number of compressed air connections	0