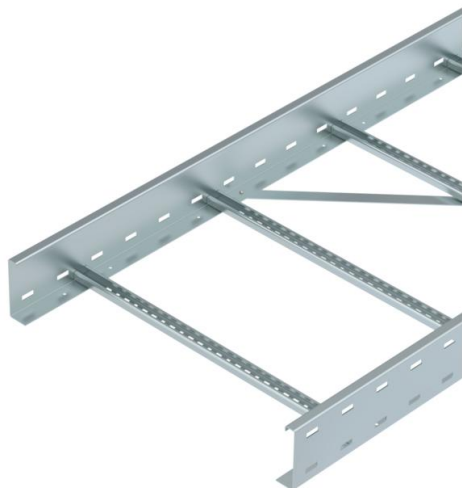


Technical data sheet

Wide span cable ladder WKLG 110 FS

Item number: 6311024



Wide span cable ladder with perforated side rails of side height of 110 mm. Fastening of cables with clamp clip, type 2056. Straight connectors of type WRVL 110 should be ordered separately and in the appropriate quantity. Magnetic shield insulation without cover 10 dB, with cover 15 dB.



St Steel

FS Strip galvanized

Master data

Item number	6311024
Type	WKLG 1160 FS
Description 1	Wide span cable ladder
Description 2	perforated side rail
Manufacturer	OBO
Dimension	110x600x6000
Material	Steel
Surface	Strip galvanized
Surface standard	DIN EN 10346
Smallest sales unit	6
Unit of quantity	Metre
Weight	652 kg
Weight unit	kg/100 m

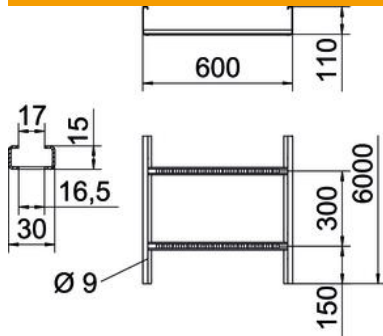
Technical data sheet

Wide span cable ladder WKLG 110 FS

Item number: 6311024



Dimensions



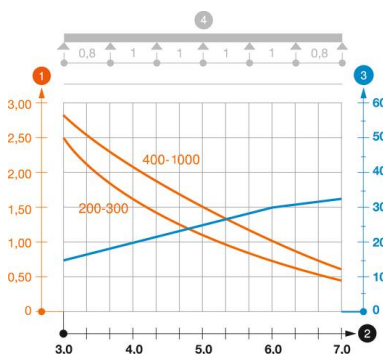
Dimension	110 x 600
Length	6,000 mm
Length	6,000 ft
Width	600 mm
Height	110 mm
Dimension B	600 mm
Dimension L	6,000 mm
Rung slot dimension	17.00

Technical data

Version of the rungs	Profile unperforated
Side rail version	Profile (open)
Maintain electrical functions	no
Usable cross-section	566 cm ²
Usable cross-section	56600 mm ²
Rustproof steel, pickled	no
Side perforation	yes
Wide-span version	yes
Rail thickness	2 mm

Loads

Insertable support spacings, min.	3 m
Insertable support spacings, max.	7 m
Support spacing 3.0 m	2.9 kN/m
Support spacing 3.5 m	2.48 kN/m
Support spacing 4.0 m	2.1 kN/m
Support spacing 4.5 m	1.78 kN/m
Support spacing 5.0 m	1.5 kN/m
Support spacing 6.0 m	1 kN/m
Support spacing 7.0 m	0.7 kN/m



Load diagram, wide span cable ladder, type WKLG 110

- 1 Permitted cable tray/ladder load in kN/m without man load
- 2 Support width in m
- 3 Rail bend in mm at permitted kN/m
- 4 Load scheme during testing
- Load curve with cable tray/ladder width in mm
- Strut bend curve according to support width