

Technical data sheet

Sealing insert for device box



Item number: 2003719

Sealing insert for flush-mounted and cavity wall boxes, to seal against ingress of air.



TPE Thermoplastic elastomer

Master data

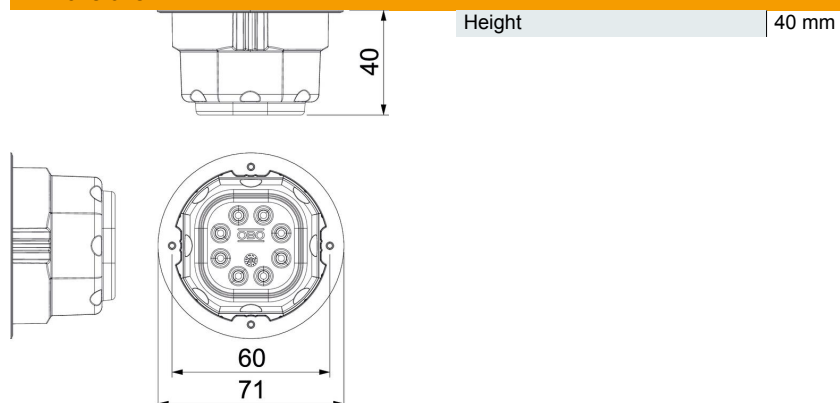
Item number	2003719
Type	ZA 60-DE
Description 1	Sealing insert
Description 2	for device boxes
Available from	01.10.2021
Manufacturer	OBO
Dimension	Ø71x40
Colour	Grey
Material	Thermoplastic elastomer
Smallest sales unit	10
Unit of quantity	Piece
Weight	1.2 kg
Weight unit	kg/100 pc.

Technical data sheet

Sealing insert for device box

Item number: 2003719

Dimensions



Technical data

No. of entries	8
Type of insertion...	8 x Ø1mm to 4mm
Version for	Single
Type	Miscellaneous
Cover	Without
Cover screw clearance	60 mm
Entries	Membrane entries
Flame-resistant	Acc. to VDE 0471/IEC 60695-2-11, test temperature 850°C
Shape	Round
Halogen-free	yes
Airtight	yes